

# APOVAC AP 0430–0750 A

Vacuum systems for chemical and pharmaceutical industries



## Proven performance

Standard vacuum system with proven DOLPHIN liquid ring vacuum pumps, specially designed for major processes in chemical and pharmaceutical industries, such as distillation, crystallization, filtration, vacuum drying

## Robust

Handling of toxic, corrosive or explosive gases, extremely high vapor and particle tolerance, for harsh process conditions, double condensation to ensure minimum carryover and maximum solvent recovery

## Cost-effective

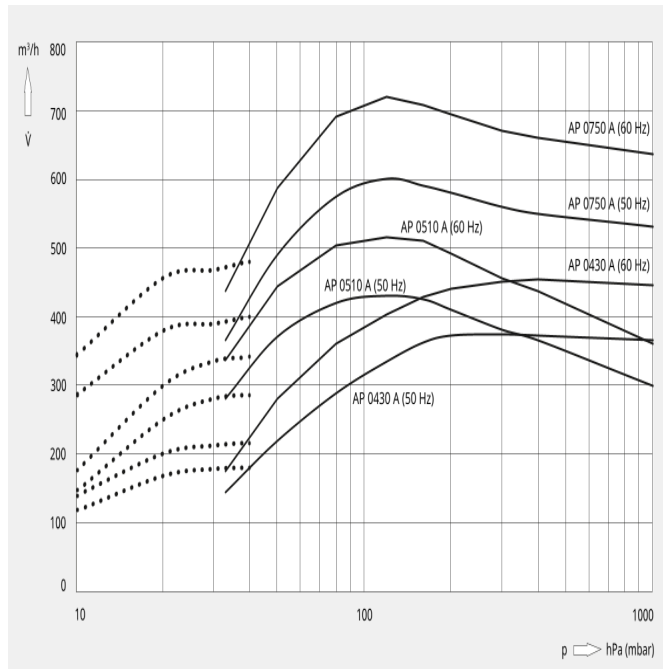
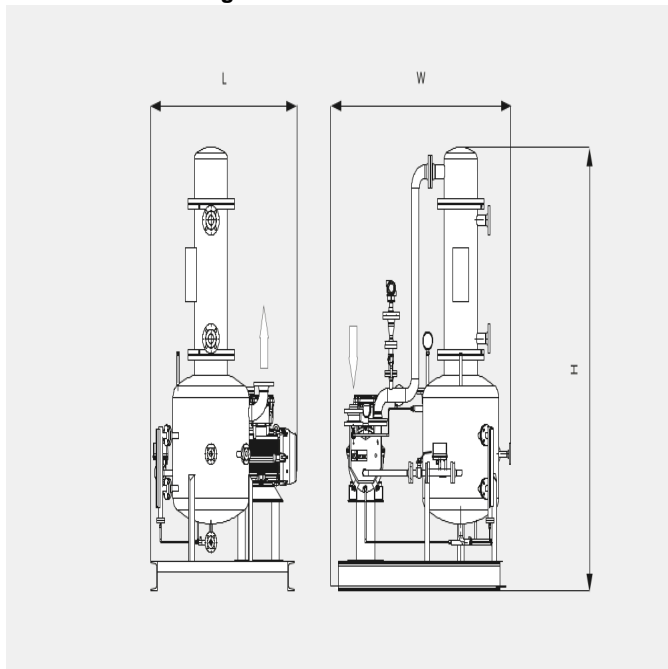
Low operating costs, high uptime, minimal maintenance, long service life

# APOVAC AP 0430–0750 A

Vacuum systems for chemical and pharmaceutical industries



## Dimensional drawing



The following technical values refer to ISO 50 Hz

	AP 0430 A	AP 0510 A	AP 0750 A
<b>Nominal pumping speed</b>	372 m³/h	430 m³/h	617 m³/h
<b>Ultimate pressure</b>	33 hPa (mbar)	33 hPa (mbar)	33 hPa (mbar)
<b>Nominal motor rating</b>	11.0 kW	15.0 kW	18.5 kW
<b>Nominal motor speed</b>	1450 min <sup>-1</sup>	1450 min <sup>-1</sup>	1450 min <sup>-1</sup>
<b>Weight approx.</b>	840 kg	900 kg	950 kg
<b>Dimensions (L x W x H)</b>	1600 x 1400 x 2500 mm	1600 x 1400 x 2500 mm	1600 x 1400 x 2500 mm
<b>Gas inlet</b>	DN 65	DN 50	DN 65
<b>Gas outlet</b>	DN 80	DN 80	DN 80

The following technical values refer to ISO 60 Hz

	AP 0430 A	AP 0510 A	AP 0750 A
<b>Nominal pumping speed</b>	455 m³/h	510 m³/h	710 m³/h

# APOVAC AP 0430–0750 A

Vacuum systems for chemical and pharmaceutical industries



VACUUM SOLUTIONS

	AP 0430 A	AP 0510 A	AP 0750 A
<b>Ultimate pressure</b>	10 (with optional ejector) hPa (mbar)	10 (with optional ejector) hPa (mbar)	10 (with optional ejector) hPa (mbar)
<b>Nominal motor rating</b>	15.0 kW	18.5 kW	30.0 kW
<b>Nominal motor speed</b>	1750 min <sup>-1</sup>	1750 min <sup>-1</sup>	1750 min <sup>-1</sup>
<b>Weight approx.</b>	840 kg	900 kg	950 kg
<b>Dimensions (L x W x H)</b>	1600 x 1400 x 2500 mm	1600 x 1400 x 2500 mm	1600 x 1400 x 2500 mm
<b>Gas inlet</b>	DN 65	DN 50	DN 65
<b>Gas outlet</b>	DN 80	DN 80	DN 80

DO YOU WANT TO KNOW MORE

Please contact us!  
sales@busch.com.bd or +880 178 766 0359



CONTACT FORM



CALL US NOW