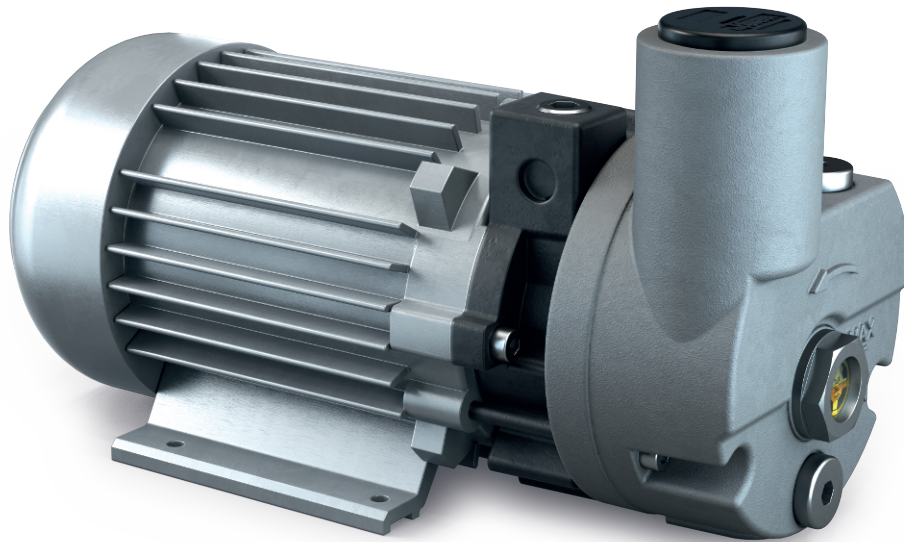


# R5 PB 0004/0008 C

Oil-lubricated rotary vane vacuum pumps



## Compact

Block construction, reduced height and weight, ideal for installations in confined spaces

## Reliable

Robust construction, highly durable vanes, proven rotary vane technology, long service life

## Quiet

Low noise level, ideal for use in deli counters or restaurants

### Accessories

- Gas-ballast valve (for R 5 PB 0008 C only)
- Various inlet filters
- Vacuum pump oils for all applications

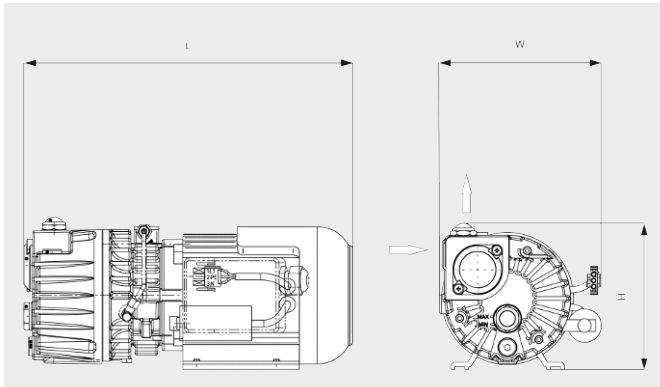
# R5 PB 0004/0008 C

Oil-lubricated rotary vane vacuum pumps



VACUUM SOLUTIONS

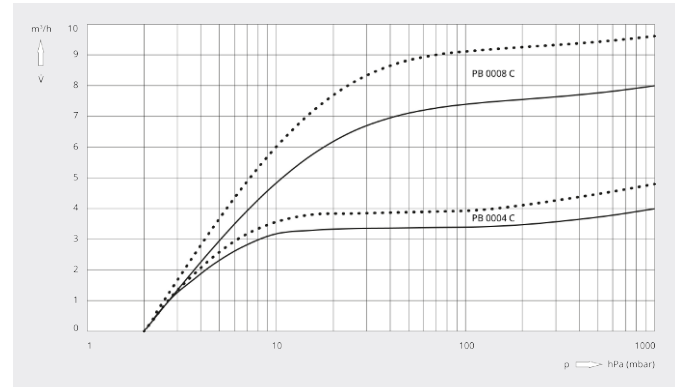
Dimensional drawing



Pumping speed

Air at 20°C. Tolerance: ± 10%

— 50 Hz ..... 60 Hz



	R5 PB 0004 C	R5 PB 0008 C
<b>Nominal pumping speed</b>	4.0 / 4.8 m <sup>3</sup> /h (50 / 60 Hz)	8.0 / 9.6 m <sup>3</sup> /h (50 / 60 Hz)
<b>Ultimate pressure</b>	2.0 hPa (mbar) (50 / 60 Hz)	2.0 hPa (mbar) (50 / 60 Hz)
<b>Nominal motor rating</b>	0.1 / 0.12 kW (50 / 60 Hz)	0.35 / 0.45 kW (50 / 60 Hz)
<b>Nominal motor speed</b>	3000 / 3600 min <sup>-1</sup> (50 / 60 Hz)	3000 / 3600 min <sup>-1</sup> (50 / 60 Hz)
<b>Noise level (ISO 2151)</b>	56 / 61 dB(A) (50 / 60 Hz)	60 / 64 dB(A) (50 / 60 Hz)
<b>Oil capacity</b>	0.06 l	0.25 l
<b>Weight approx.</b>	5.2 kg	10.3 kg
<b>Dimensions (L x W x H)</b>	231 x 133 x 141 mm	330 x 164 x 152 mm
<b>Gas inlet</b>	G ¼	G ¾"

## DO YOU WANT TO KNOW MORE?

Get in touch with us directly!  
[sales@busch.com.bd](mailto:sales@busch.com.bd) or +880 178 766 0359



CONTACT FORM



CALL NOW