

# R5 RA 0165-0305 D

Oil-lubricated rotary vane vacuum pumps



## Reliable

Robust construction, highly resilient carbon fiber vanes, proven rotary vane technology, long service life

## High performance

High pumping speed at low pressures, designed for continuous operation in the rough vacuum range

## Flexible

Various design options available, easy adaption to individual customer requirements and processes

### Accessories

- Gas-ballast valve
- Various inlet filters
- Energy recuperation kit with heat exchanger
- Oil level switch
- Temperature sensors
- Filter pressure gauge
- Vacuum pump oils for all applications
- Vacuum regulating unit

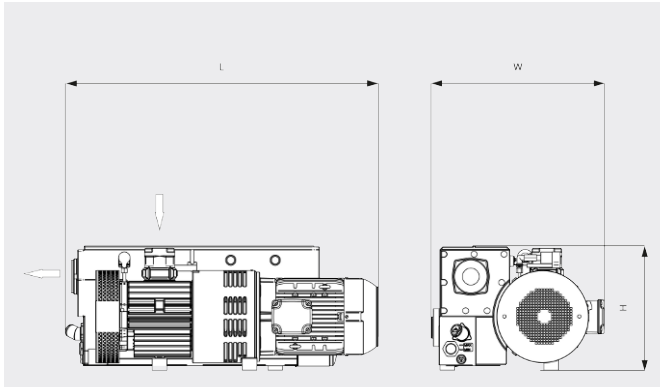
# R5 RA 0165-0305 D

Oil-lubricated rotary vane vacuum pumps



VACUUM SOLUTIONS

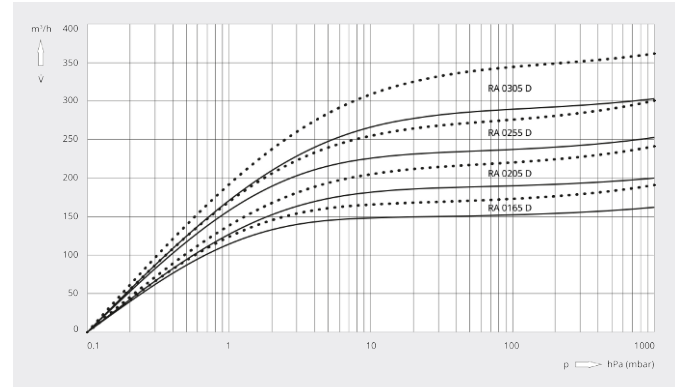
Dimensional drawing



Pumping speed

Air at 20°C. Tolerance: ± 10%

— 50 Hz ..... 60 Hz



	R5 RA 0165 D	R5 RA 0205 D	R5 RA 0255 D	R5 RA 0305 D
<b>Nominal pumping speed</b>	160 / 190 m³/h (50 / 60 Hz)	200 / 240 m³/h (50 / 60 Hz)	250 / 300 m³/h (50 / 60 Hz)	300 / 360 m³/h (50 / 60 Hz)
<b>Ultimate pressure (gas-ballast valve closed)</b>	0.1 hPa (mbar) (50 / 60 Hz)	0.1 hPa (mbar) (50 / 60 Hz)	0.1 hPa (mbar) (50 / 60 Hz)	0.1 hPa (mbar) (50 / 60 Hz)
<b>Ultimate pressure (gas-ballast valve open)</b>	0.5 hPa (mbar) (50 / 60 Hz)	0.5 hPa (mbar) (50 / 60 Hz)	0.5 hPa (mbar) (50 / 60 Hz)	0.5 hPa (mbar) (50 / 60 Hz)
<b>Nominal motor rating</b>	5.5 / 6.6 kW (50 / 60 Hz)	5.5 / 6.6 kW (50 / 60 Hz)	7.5 / 9.2 kW (50 / 60 Hz)	8.3 / 10.0 kW (50 / 60 Hz)
<b>Nominal motor speed</b>	1500 / 1800 min <sup>-1</sup> (50 / 60 Hz)	1500 / 1800 min <sup>-1</sup> (50 / 60 Hz)	1500 / 1800 min <sup>-1</sup> (50 / 60 Hz)	1500 / 1800 min <sup>-1</sup> (50 / 60 Hz)
<b>Power consumption at 100 mbar</b>	3.7 / 4.7 kW (50 / 60 Hz)	4.2 / 5.2 kW (50 / 60 Hz)	5.5 / 6.6 kW (50 / 60 Hz)	6.1 / 7.2 kW (50 / 60 Hz)
<b>Power consumption at ultimate pressure</b>	2.4 / 2.9 kW (50 / 60 Hz)	3.3 / 4.0 kW (50 / 60 Hz)	4.1 / 4.5 kW (50 / 60 Hz)	4.7 / 5.1 kW (50 / 60 Hz)
<b>Noise level (ISO 2151)</b>	70 / 72 dB(A) (50 / 60 Hz)	72 / 74 dB(A) (50 / 60 Hz)	72 / 74 dB(A) (50 / 60 Hz)	74 / 76 dB(A) (50 / 60 Hz)
<b>Oil capacity</b>	6.5 l	6.5 l	6.5 l	6.5 l
<b>Weight approx.</b>	160 kg	160 kg	195 kg	195 kg
<b>Dimensions (L x W x H)</b>	977 x 583 x 418 mm	977 x 583 x 418 mm	1056 x 583 x 418 mm	1057 x 583 x 418 mm
<b>Gas inlet / outlet</b>	G 2" / G 2"	G 2" / G 2"	G 2" / G 2"	G 2" / G 2"

## DO YOU WANT TO KNOW MORE?

Get in touch with us directly!  
[sales@busch.com.bd](mailto:sales@busch.com.bd) or +880 178 766 0359



CONTACT FORM



CALL NOW