

# R5 RE 0040/0063 C

Oil-lubricated rotary vane vacuum pumps



VACUUM SOLUTIONS



## Explosion-proof

ATEX-certified to directive 2014/34/EU: II 1/2G Ex h IIB3 T4 Ga/Gb, specially designed to extract explosion endangered gas/air and vapor/air mixtures, suitable for the extraction of almost all substances in the IIB3 explosion group as well as petrol vapor

## Reliable

Robust construction, highly durable fiber-reinforced epoxy resin vanes, proven rotary vane technology, long service life

## Flexible

Various design options available, easy adaption to individual customer requirements and processes, level and temperature switch as standard

Accessories, spare parts and options

- Gas-ballast valve
- Oil level switch
- Anti-corrosion coating on the oil separator
- T4 motor and transmitter (temperature class T4 outside the vacuum pump)

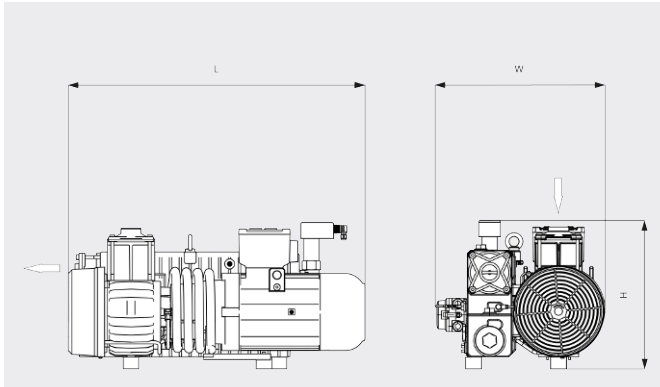
# R5 RE 0040/0063 C

Oil-lubricated rotary vane vacuum pumps



VACUUM SOLUTIONS

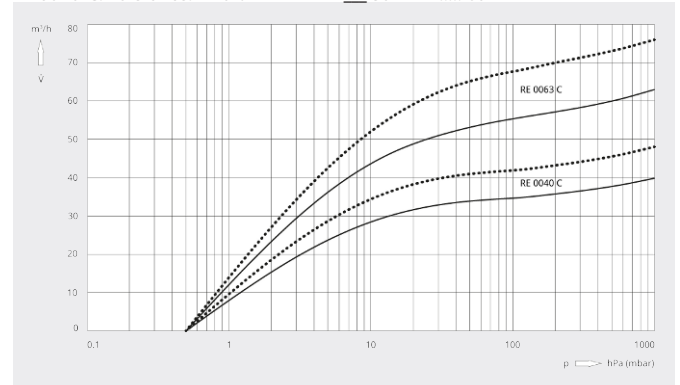
Dimensional drawing



Pumping speed

Air at 20°C. Tolerance: ± 10%

— 50 Hz ..... 60 Hz



	R5 RE 0040 C	R5 RE 0063 C
<b>Nominal pumping speed</b>	40 / 48 m <sup>3</sup> /h (50 / 60 Hz)	63 / 76 m <sup>3</sup> /h (50 / 60 Hz)
<b>Ultimate pressure</b>	0.5 hPa (mbar) (50 / 60 Hz)	0.5 hPa (mbar) (50 / 60 Hz)
<b>Nominal motor rating</b>	1.5 / 2.2 kW (50 / 60 Hz)	2.2 kW (50 / 60 Hz)
<b>Nominal motor speed</b>	1500 / 1800 min <sup>-1</sup> (50 / 60 Hz)	1500 / 1800 min <sup>-1</sup> (50 / 60 Hz)
<b>Noise level (ISO 2151)</b>	63 / 66 dB(A) (50 / 60 Hz)	65 / 68 dB(A) (50 / 60 Hz)
<b>Oil capacity</b>	2 l	2 l
<b>Weight approx.</b>	100 kg	100 kg
<b>Dimensions (L x W x H)</b>	695 x 420 x 372 mm	752 x 420 x 372 mm
<b>Gas inlet / outlet</b>	G 1¼" / G 1¼"	G 1¼" / G 1¼"

## DO YOU WANT TO KNOW MORE?

Get in touch with us directly!  
[sales@busch.com.bd](mailto:sales@busch.com.bd) or +880 178 766 0359



CONTACT FORM



CALL NOW