

SECO SD 1010-1040 C/D

Dry-running rotary vane compressors



VACUUM SOLUTIONS



Compact

Direct-drive construction

Reliable

Robust construction, proven performance, self-lubricating vanes, no operating fluids

High performance

High performance Aerodur 274 Zirkon vanes, extended lifetime, extremely resistant to wear and humidity

Accessories, spare parts and options

- Inlet filter
- Non-return valve (exhaust)
- Hose nipple
- Pressure relief valve

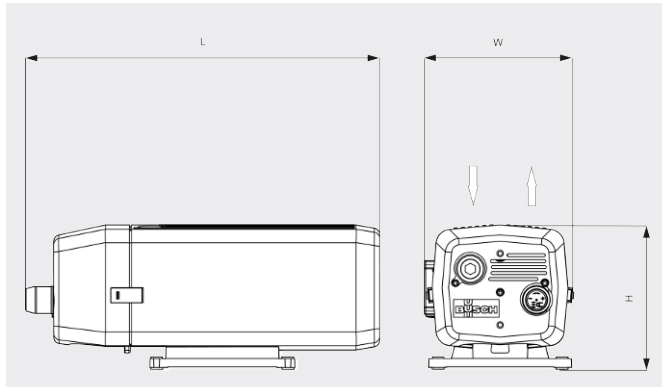
SECO SD 1010-1040 C/D

Dry-running rotary vane compressors



VACUUM SOLUTIONS

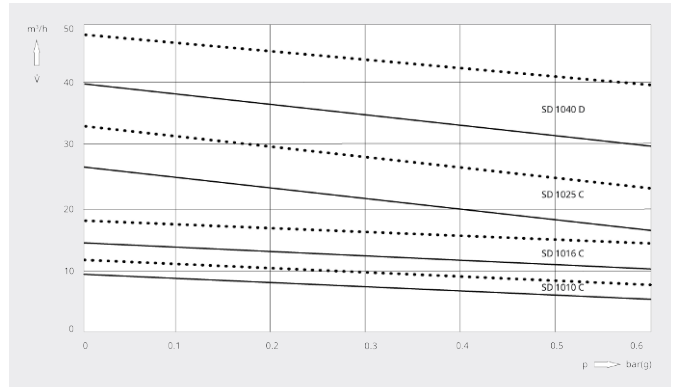
Dimensional drawing



Volume flow

Air at 20°C. Tolerance: ± 10%

— 50 Hz 60 Hz



| | SECO SD 1010 C | SECO SD 1016 C | SECO SD 1025 C | SECO SD 1040 D |
|-------------------------------|--|--|--|--|
| Volume flow | 9 / 12 m³/h (50 / 60 Hz) | 15 / 18 m³/h (50 / 60 Hz) | 26 / 33 m³/h (50 / 60 Hz) | 40 / 48 m³/h (50 / 60 Hz) |
| Overpressure | 0.6 bar(g) (50 / 60 Hz) | 0.6 bar(g) (50 / 60 Hz) | 0.6 bar(g) (50 / 60 Hz) | 0.6 bar(g) (50 / 60 Hz) |
| Nominal motor rating | 0.37 kW (50 / 60 Hz) | 0.55 kW (50 / 60 Hz) | 0.9 kW (50 / 60 Hz) | 1.25 kW (50 / 60 Hz) |
| Nominal motor speed | 1500 / 1800 min ⁻¹ (50 / 60 Hz) | 1500 / 1800 min ⁻¹ (50 / 60 Hz) | 1500 / 1800 min ⁻¹ (50 / 60 Hz) | 1500 / 1800 min ⁻¹ (50 / 60 Hz) |
| Noise level (ISO 2151) | 56 / 58 dB(A) (50 / 60 Hz) | 57 / 60 dB(A) (50 / 60 Hz) | 64 / 66 dB(A) (50 / 60 Hz) | 67 / 70 dB(A) (50 / 60 Hz) |
| Weight approx. | 21 kg | 25 kg | 33 kg | 38 kg |
| Dimensions (L x W x H) | 413 x 239 x 224 mm | 440 x 239 x 224 mm | 499 x 253 x 246 mm | 554 x 257 x 246 mm |
| Gas inlet / outlet | G ½" / G ½" | G ½" / G ½" | G ¾" / G ¾" | G ¾" / G ¾" |

DO YOU WANT TO KNOW MORE?

Get in touch with us directly!
sales@busch.com.bd or +880 178 766 0359



CONTACT FORM



CALL NOW