

# DOLPHIN LA 1157-1807 A

Liquid ring vacuum pumps



## Robust

Proven technology, durable single-stage construction

## Reliable

Extremely high vapor and particle tolerance

## Flexible

Wide range of construction materials, including cast iron (EN-GJL-200), many grades of stainless steel and even titanium, ATEX-certified version available (Cat 1(i)/2(o) IIC T5), different operating fluids possible, operation as compressor possible

Accessories, spare parts and options

- Partial or total recirculation systems
- Liquid separator
- Cavitation protection
- Heat exchanger
- Gas ejector
- Wide selection of motors
- Non-return valves
- Vacuum relief valves

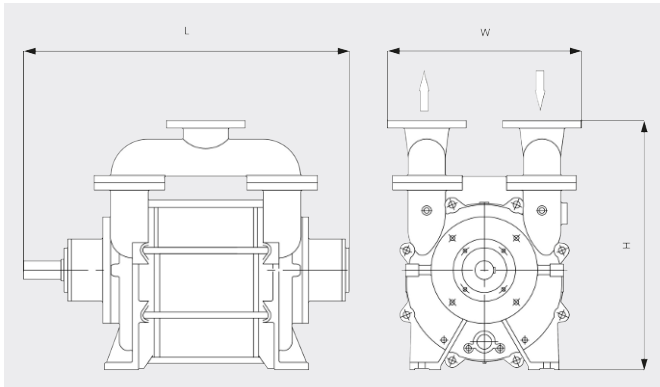
# DOLPHIN LA 1157-1807 A

Liquid ring vacuum pumps



VACUUM SOLUTIONS

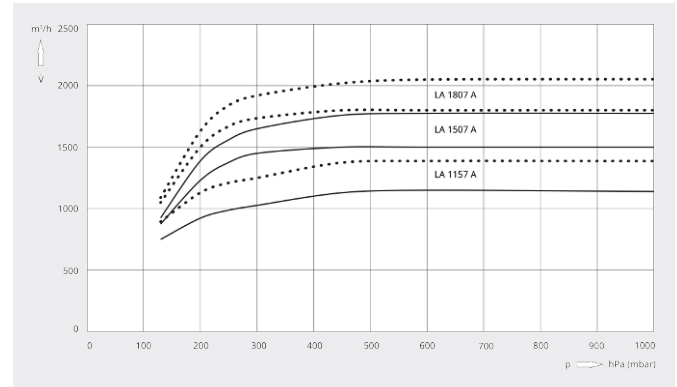
Dimensional drawing



Pumping speed

Air at 20°C. Tolerance: ± 10%

— 50 Hz ..... 60 Hz



	DOLPHIN LA 1157 A	DOLPHIN LA 1507 A	DOLPHIN LA 1807 A
<b>Nominal pumping speed</b>	1150 / 1380 m³/h	1500 / 1800 m³/h	1800 / 2050 m³/h
<b>Ultimate pressure</b>	130 hPa (mbar)	130 hPa (mbar)	130 hPa (mbar)
<b>Nominal motor rating</b>	30 / 45 kW	45 / 55 kW	50 / 75 kW
<b>Nominal motor speed</b>	980 / 1150 min <sup>-1</sup>	980 / 1150 min <sup>-1</sup>	980 / 1150 min <sup>-1</sup>
<b>Noise level (ISO 2151)</b>	77 dB(A)	77 dB(A)	77 dB(A)
<b>Weight approx.</b>	575 kg	638 kg	701 kg
<b>Dimensions (L x W x H)</b>	( 1046 – 1231 ) x 480 x 800 mm	( 1146 – 1331 ) x 480 x 800 mm	( 1246 – 1431 ) x 480 x 800 mm
<b>Gas inlet / outlet</b>	DN 125 PN 10 / DN 125 PN 10	DN 125 PN 10 / DN 125 PN 10	DN 125 PN 10 / DN 125 PN 10

## DO YOU WANT TO KNOW MORE?

Get in touch with us directly!  
[sales@busch.com.bd](mailto:sales@busch.com.bd) or +880 178 766 0359



CONTACT FORM



CALL NOW