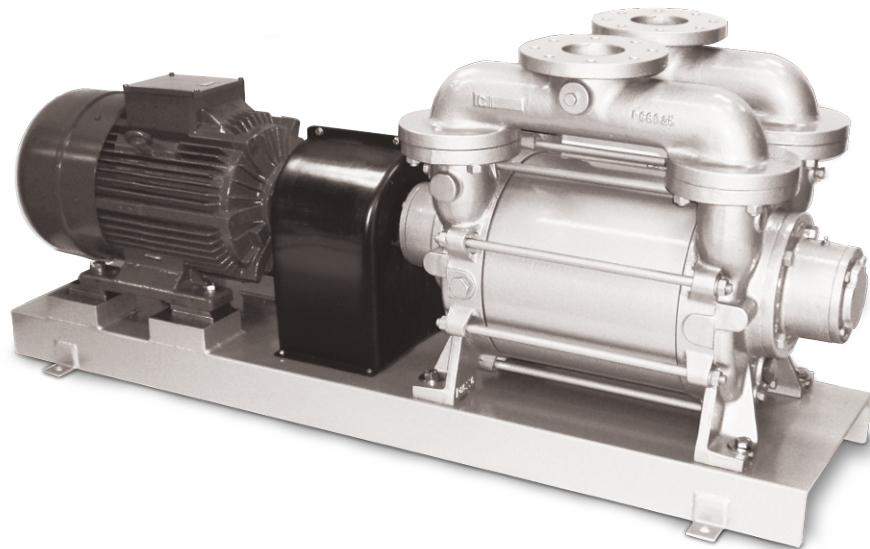


DOLPHIN LA 1908-2808 A

Liquid ring vacuum pumps



Robust

Proven technology, durable single-stage construction

Reliable

Extremely high vapor and particle tolerance

Flexible

Wide range of construction materials, including cast iron (EN-GJL-200), many grades of stainless steel and even titanium, ATEX-certified version available (Cat 1(i)/2(o) IIC T5), different operating fluids possible, operation as compressor possible

Accessories, spare parts and options

- Partial or total recirculation systems
- Liquid separator
- Cavitation protection
- Heat exchanger
- Gas ejector
- Wide selection of motors
- Non-return valves
- Vacuum relief valves

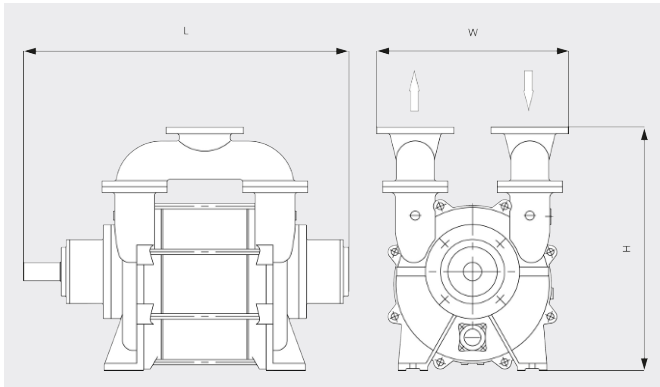
DOLPHIN LA 1908–2808 A

Liquid ring vacuum pumps



VACUUM SOLUTIONS

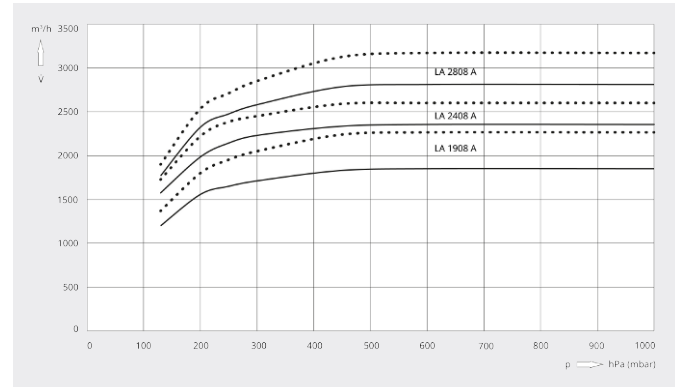
Dimensional drawing



Pumping speed

Air at 20°C. Tolerance: ± 10%

— 50 Hz 60 Hz



	DOLPHIN LA 1908 A	DOLPHIN LA 2408 A	DOLPHIN LA 2808 A
Nominal pumping speed	1900 / 2250 m³/h (50 / 60 Hz)	2400 / 2600 m³/h (50 / 60 Hz)	2800 / 3150 m³/h (50 / 60 Hz)
Ultimate pressure	130 hPa (mbar) (50 / 60 Hz)	130 hPa (mbar) (50 / 60 Hz)	130 hPa (mbar) (50 / 60 Hz)
Nominal motor rating	75 / 90 kW (50 / 60 Hz)	75 / 110 kW (50 / 60 Hz)	90 / 150 kW (50 / 60 Hz)
Nominal motor speed	735 / 880 min ⁻¹ (50 / 60 Hz)	735 / 880 min ⁻¹ (50 / 60 Hz)	735 / 880 min ⁻¹ (50 / 60 Hz)
Noise level (ISO 2151)	79 dB(A) (50 / 60 Hz)	79 dB(A) (50 / 60 Hz)	79 dB(A) (50 / 60 Hz)
Weight approx.	1445 kg	1610 kg	1770 kg
Dimensions (L x W x H)	(1418 – 1698) x 650 x 1060 mm	(1518 – 1798) x 650 x 1060 mm	(1618 – 1898) x 650 x 1060 mm
Gas inlet / outlet	DN 200 PN 10 / DN 200 PN 10	DN 200 PN 10 / DN 200 PN 10	DN 200 PN 10 / DN 200 PN 10

DO YOU WANT TO KNOW MORE?

Get in touch with us directly!
sales@busch.com.bd or +880 178 766 0359



CONTACT FORM



CALL NOW