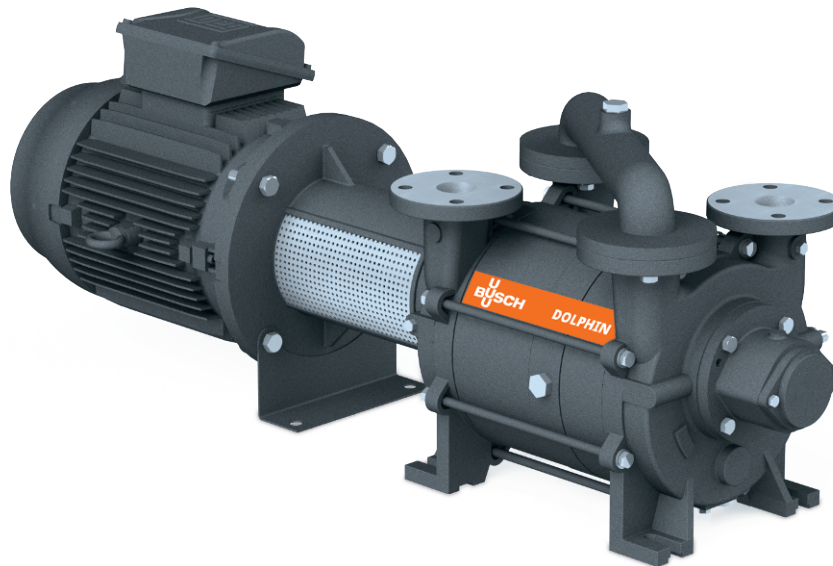


DOLPHIN LB 0265-0425 A

Liquid ring vacuum pumps



Robust

Proven technology, durable two-stage construction

Reliable

Extremely high vapor and particle tolerance

Flexible

Wide range of construction materials, including cast iron (EN-GJL-200), many grades of stainless steel and even titanium, ATEX-certified version available (Cat 1(i)/2(o) IIC T5), operating fluids other than water possible, operation as compressor possible

Accessories, spare parts and options

- Partial or total recirculation systems
- Liquid separator
- Cavitation protection
- Heat exchanger
- Gas ejector
- Wide selection of motors
- Non-return valves
- Vacuum relief valves

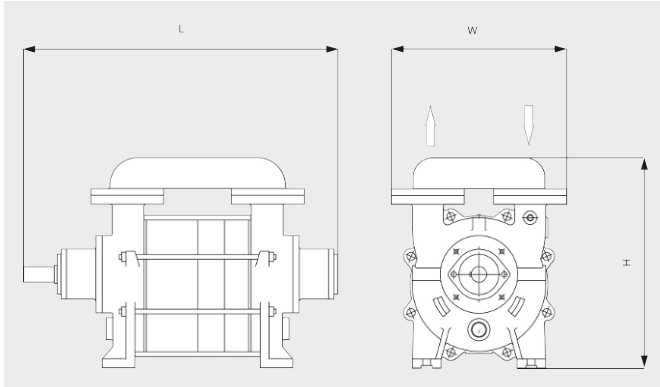
DOLPHIN LB 0265-0425 A

Liquid ring vacuum pumps



VACUUM SOLUTIONS

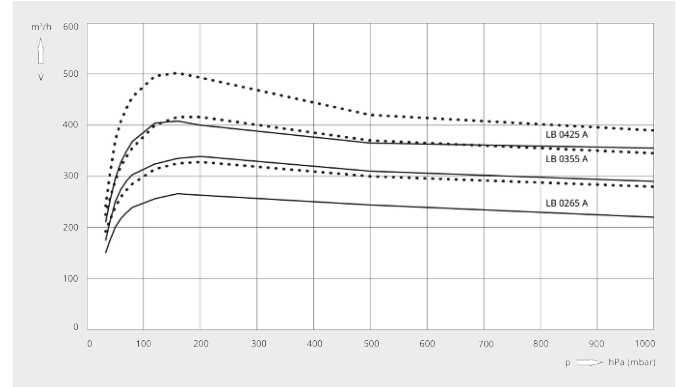
Dimensional drawing



Pumping speed

Air at 20°C. Tolerance: ± 10%

— 50 Hz 60 Hz



| | DOLPHIN LB 0265 A | DOLPHIN LB 0355 A | DOLPHIN LB 0425 A |
|-------------------------------|--|--|--|
| Nominal pumping speed | 260 / 325 m³/h (50 / 60 Hz) | 350 / 400 m³/h (50 / 60 Hz) | 420 / 500 m³/h (50 / 60 Hz) |
| Ultimate pressure | 33 hPa (mbar) (50 / 60 Hz) | 33 hPa (mbar) (50 / 60 Hz) | 33 hPa (mbar) (50 / 60 Hz) |
| Nominal motor rating | 7.5 / 11 kW (50 / 60 Hz) | 11 / 15 kW (50 / 60 Hz) | 15 / 15 kW (50 / 60 Hz) |
| Nominal motor speed | 1450 / 1750 min ⁻¹ (50 / 60 Hz) | 1450 / 1750 min ⁻¹ (50 / 60 Hz) | 1450 / 1750 min ⁻¹ (50 / 60 Hz) |
| Noise level (ISO 2151) | 75 dB(A) (50 / 60 Hz) | 75 dB(A) (50 / 60 Hz) | 75 dB(A) (50 / 60 Hz) |
| Weight approx. | 165 kg | 183 kg | 194 kg |
| Dimensions (L x W x H) | (707 – 898) x 300 x 472 mm | (767 – 958) x 300 x 472 mm | (807 – 998) x 300 x 472 mm |
| Gas inlet / outlet | DN 50 PN 10 / DN 50 PN 10 | DN 50 PN 10 / DN 50 PN 10 | DN 50 PN 10 / DN 50 PN 10 |

DO YOU WANT TO KNOW MORE?

Get in touch with us directly!
sales@busch.com.bd or +880 178 766 0359



CONTACT FORM



CALL NOW