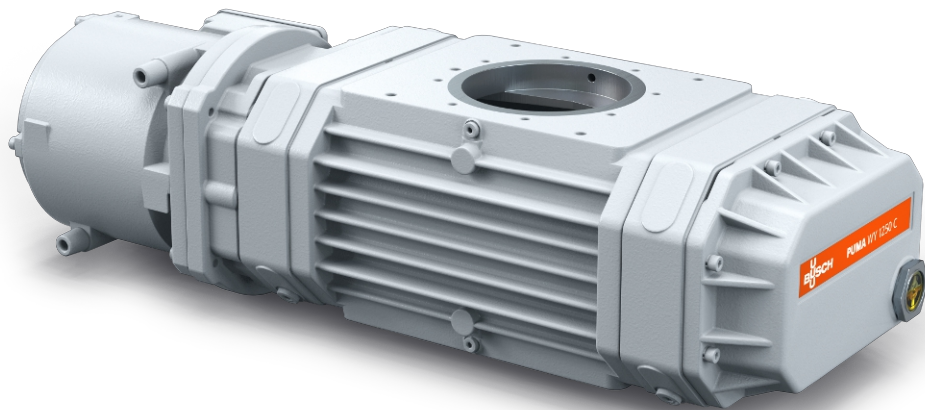


PUMA WY 0500-1250 C

Vacuum boosters



VACUUM SOLUTIONS



Reliable

Solid lobe design, robust construction made of GGG40 material, leak-tight, reliable under varying operating conditions

High performance

Excellent volumetric efficiency, increases the performance of a vacuum system by up to a factor of ten, specially designed for medium and high vacuum including semiconductor applications

Flexible

Can be flanged directly on the system at any position, boosts the performance of all types of backing pumps

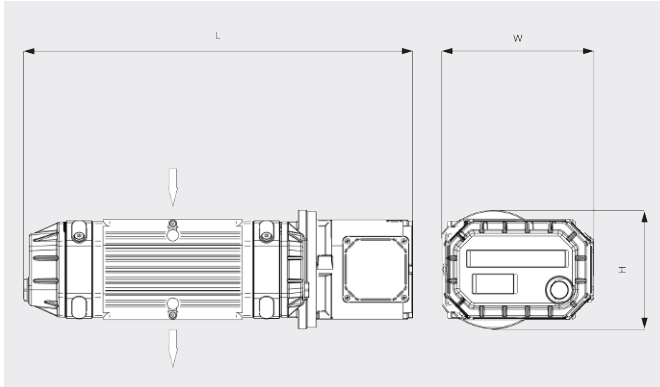
PUMA WY 0500-1250 C

Vacuum boosters



VACUUM SOLUTIONS

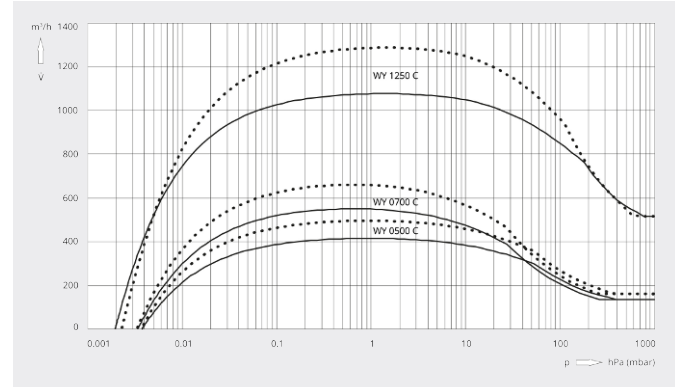
Dimensional drawing



Pumping speed

Air at 20°C. Tolerance: ± 10%

— 50 Hz 60 Hz



	PUMA WY 0500 C	PUMA WY 0700 C	PUMA WY 1250 C
Nominal pumping speed	500 / 600 m³/h (50 / 60 Hz)	700 / 840 m³/h (50 / 60 Hz)	1250 / 1500 m³/h (50 / 60 Hz)
Pumping speed	415 / 500 m³/h (50 / 60 Hz)	550 / 660 m³/h (50 / 60 Hz)	1080 / 1290 m³/h (50 / 60 Hz)
Max. differential pressure	50 hPa (mbar) (50 / 60 Hz)	50 hPa (mbar) (50 / 60 Hz)	50 hPa (mbar) (50 / 60 Hz)
Nominal motor rating	4.0 / 4.4 kW (50 / 60 Hz)	4.0 / 4.4 kW (50 / 60 Hz)	4.0 / 4.4 kW (50 / 60 Hz)
Nominal motor speed	3000 / 3600 min ⁻¹ (50 / 60 Hz)	3000 / 3600 min ⁻¹ (50 / 60 Hz)	3000 / 3600 min ⁻¹ (50 / 60 Hz)
Weight approx.	150 kg	160 kg	210 kg
Leakage rate	< 1 · 10 ⁻⁶ mbar · l/s	< 1 · 10 ⁻⁶ mbar · l/s	< 1 · 10 ⁻⁶ mbar · l/s
Dimensions (L x W x H)	642 x 325 x 260 mm	692 x 325 x 260 mm	852 x 325 x 260 mm
Gas inlet / outlet	DN 63 ISO / DN 63 ISO	DN 100 ISO / DN 100 ISO	DN 160 ISO / DN 160 ISO

DO YOU WANT TO KNOW MORE?

Get in touch with us directly!
sales@busch.com.bd or +880 178 766 0359



CONTACT FORM



CALL NOW