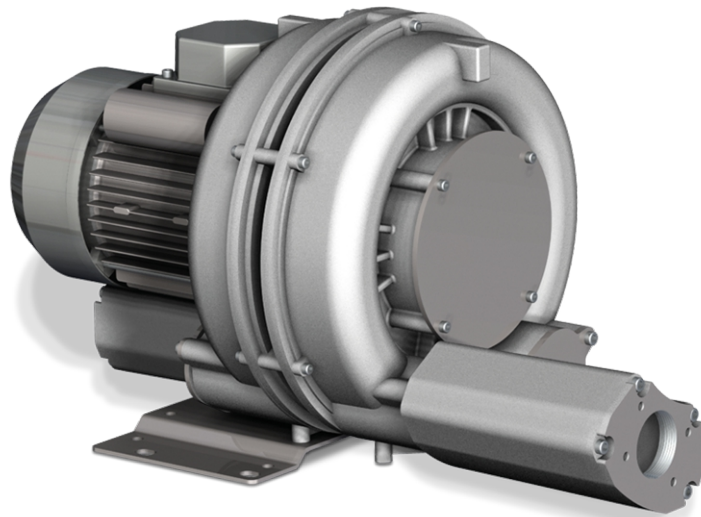


SAMOS SI 0090-0210 E2

Side channel blowers



VACUUM SOLUTIONS



Reliable

Robust construction, effective air cooling, long lifetime, nearly maintenance-free, dry and contact-free operating principle, high differential pressures thanks to two compression stages, protection against overheating

Flexible

Vacuum or overpressure operation, horizontal and vertical installation

Quiet

Low noise level, fully enclosed unit, internal silencers

Accessories

- Vacuum relief valves
- Pressure relief valves
- Additional silencers

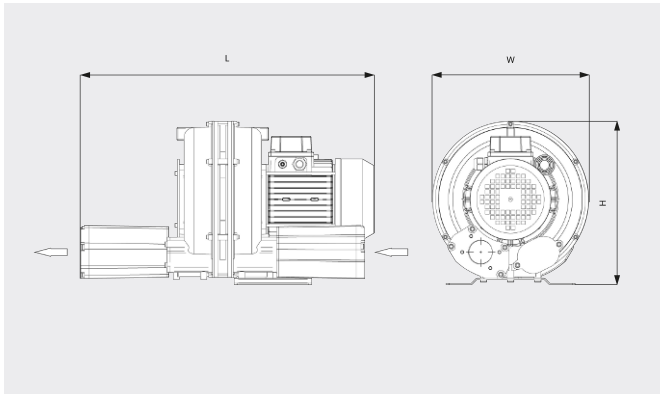
SAMOS SI 0090-0210 E2

Side channel blowers



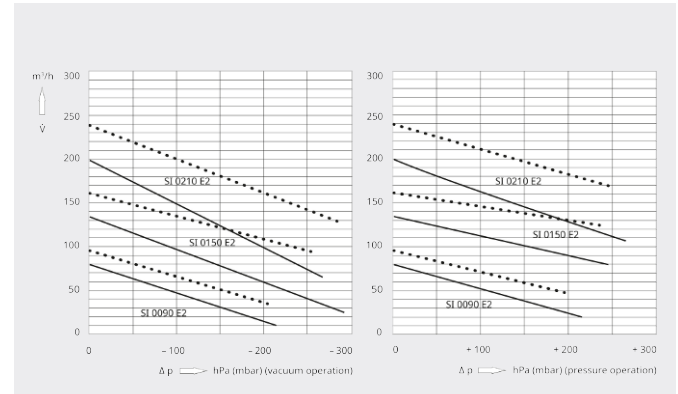
VACUUM SOLUTIONS

Dimensional drawing



Pumping speed/Volume flow
Air at 20°C. Tolerance: ± 10%

— 50 Hz 60 Hz



	SAMOS SI 0090 E2	SAMOS SI 0150 E2	SAMOS SI 0210 E2
Nominal pumping speed/volume flow	80 / 96 m ³ /h (50 / 60 Hz)	135 / 162 m ³ /h (50 / 60 Hz)	200 / 240 m ³ /h (50 / 60 Hz)
Max. differential pressure (vacuum version)	-215 / -205 hPa (mbar) (50 / 60 Hz)	-295 / -255 hPa (mbar) (50 / 60 Hz)	-265 / -280 hPa (mbar) (50 / 60 Hz)
Max. differential pressure (overpressure version)	+215 / +235 hPa (mbar) (50 / 60 Hz)	+255 / +235 hPa (mbar) (50 / 60 Hz)	+265 / +245 hPa (mbar) (50 / 60 Hz)
Nominal motor rating	0.7 / 0.9 kW (50 / 60 Hz)	1.5 / 1.7 kW (50 / 60 Hz)	2.2 / 2.5 kW (50 / 60 Hz)
Nominal motor speed	3000 / 3600 min ⁻¹ (50 / 60 Hz)	3000 / 3600 min ⁻¹ (50 / 60 Hz)	3000 / 3600 min ⁻¹ (50 / 60 Hz)
Noise level (ISO 3744)	64 / 68 dB(A) (50 / 60 Hz)	65 / 68 dB(A) (50 / 60 Hz)	72 dB(A) (50 / 60 Hz)
Weight approx.	16 kg	25 kg	31 kg
Dimensions (L x W x H)	535 x 245 x 251 mm	543 x 302 x 316 mm	297 x 334 x 341 mm
Gas inlet / outlet	G 1¼" / G 1¼"	G 1½" / G 1½"	G 1½" / G 1½"

DO YOU WANT TO KNOW MORE?

Get in touch with us directly!
sales@busch.com.bd or +880 178 766 0359



CONTACT FORM



CALL NOW