

COBRA NC 0630-2000 B/C VR

Dry screw vacuum pumps



VACUUM SOLUTIONS



High performance

Advanced screw design, patented self-balancing screws

Efficient

Low cost of ownership, minimal maintenance, long service intervals, high uptime

ATEX-certified

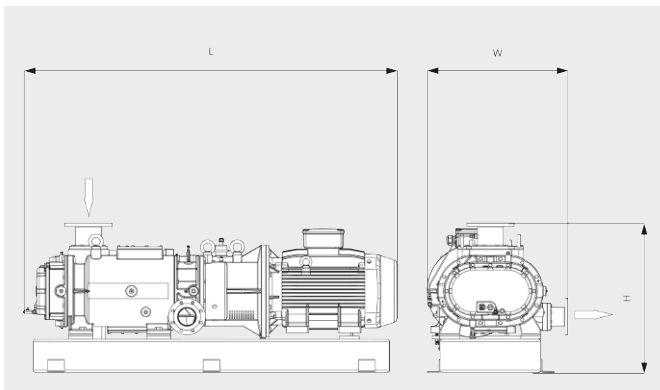
Low gas temperatures within the compression chamber, special cooling system for the extraction of petrol vapor, perfectly suited for the stage I recovery of petrol and other hydrocarbon vapors in the petrochemical industry

COBRA NC 0630-2000 B/C VR

Dry screw vacuum pumps



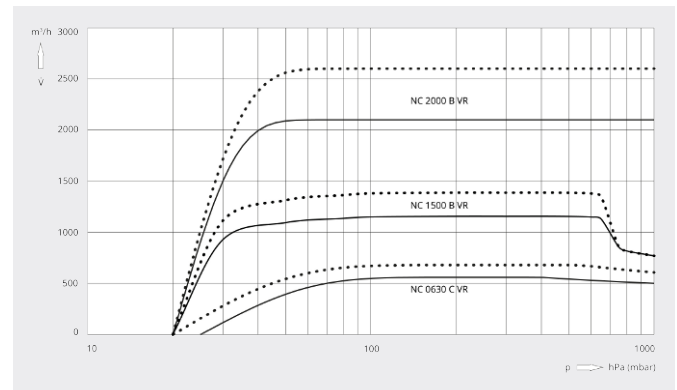
Dimensional drawing



Pumping speed

Air at 20°C. Tolerance: ± 10%

— 50 Hz 60 Hz



	COBRA NC 0630 C VR	COBRA NC 1500 B VR	COBRA NC 2000 B VR
Pumping speed	580 / 680 m³/h (50 / 60 Hz)	1160 / 1400 m³/h (50 / 60 Hz)	2100 / 2600 m³/h (50 / 60 Hz)
Ultimate pressure	< 25 / < 20 hPa (mbar) (50 / 60 Hz)	< 20 hPa (mbar) (50 / 60 Hz)	< 20 hPa (mbar) (50 / 60 Hz)
Nominal motor rating	22 kW (50 / 60 Hz)	30 / 36 kW (50 / 60 Hz)	55 / 63 (50 / 60 Hz)
Nominal motor speed	3000 / 3600 min ⁻¹ (50 / 60 Hz)	3000 / 3600 min ⁻¹ (50 / 60 Hz)	3000 / 3600 min ⁻¹ (50 / 60 Hz)
Noise level (ISO 2151)	73 / 78 dB(A) (50 / 60 Hz)	79 / 81 dB(A) (50 / 60 Hz)	79 84 dB(A) (50 / 60 Hz)
Weight approx.	880 kg	1250 kg	2000 kg
Dimensions (L x W x H)	1683 x 720 x 855 mm	1960 x 738 x 855 mm	2226 x 880 x 898 mm
Gas inlet / outlet	DN 100 PN 16, ANSI 4" B16.5 / DN 80 PN 16, ANSI 3" B16.5	DN 100 PN 16, ANSI 4" B16.5 / DN 80 PN 16, ANSI 3" B16.5	DN 150 PN 16, ANSI 6" B16.5 / DN 100 PN 16, ANSI 4" B16.5

DO YOU WANT TO KNOW MORE?

Get in touch with us directly!
sales@busch.com.bd or +880 178 766 0359



CONTACT FORM



CALL NOW