

COBRA NF 0750/0950 A

Dry screw vacuum pump



VACUUM SOLUTIONS



High performance for vacuum packaging

Specially designed for vacuum packaging, optimized for fast packaging cycles, advanced screw design, best-in-class pumping speed

Easy cleaning

The only dry screw vacuum pump series designed for daily wash-down in vacuum packaging, can be cleaned using steam jets and conventional detergents, smooth surface design, no dead water zones, no additional enclosure required

Efficient

Variable speed drive, minimal maintenance, long service intervals, efficient water cooling, low cost of ownership

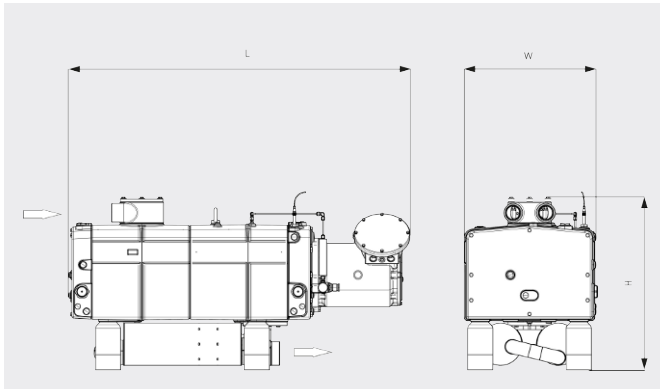
COBRA NF 0750/0950 A

Dry screw vacuum pump



VACUUM SOLUTIONS

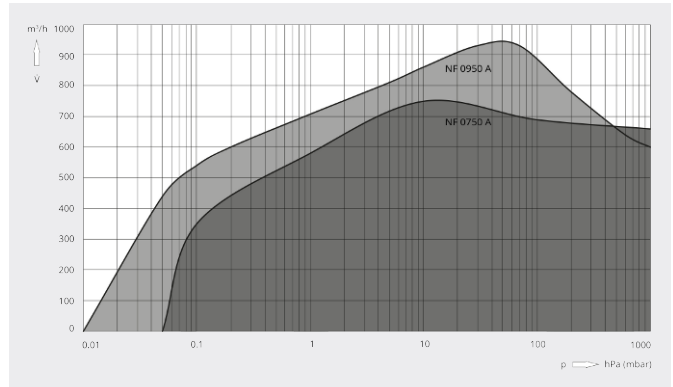
Dimensional drawing



Pumping speed

Air at 20°C. Tolerance: ± 10%

■ Operating range



	COBRA NF 0750 A	COBRA NF 0950 A
Nominal pumping speed	max. 750 m³/h	max. 950 m³/h
Ultimate pressure	0.05 hPa (mbar)	0.01 hPa (mbar)
Nominal motor rating	15 kW	18.5 kW
Nominal motor speed	3600 min ⁻¹	4320 min ⁻¹
Noise level (ISO 2151)	≤ 66 dB(A)	≤ 69 dB(A)
Weight approx.	800 kg	800 kg
Dimensions (L x W x H)	1347 x 527 x 685 mm	1347 x 527 x 685 mm
Gas inlet / outlet	G3"/2x G2" / G3"	G3"/2x G2" / G3"

DO YOU WANT TO KNOW MORE?

Get in touch with us directly!
sales@busch.com.bd or +880 178 766 0359



CONTACT FORM



CALL NOW