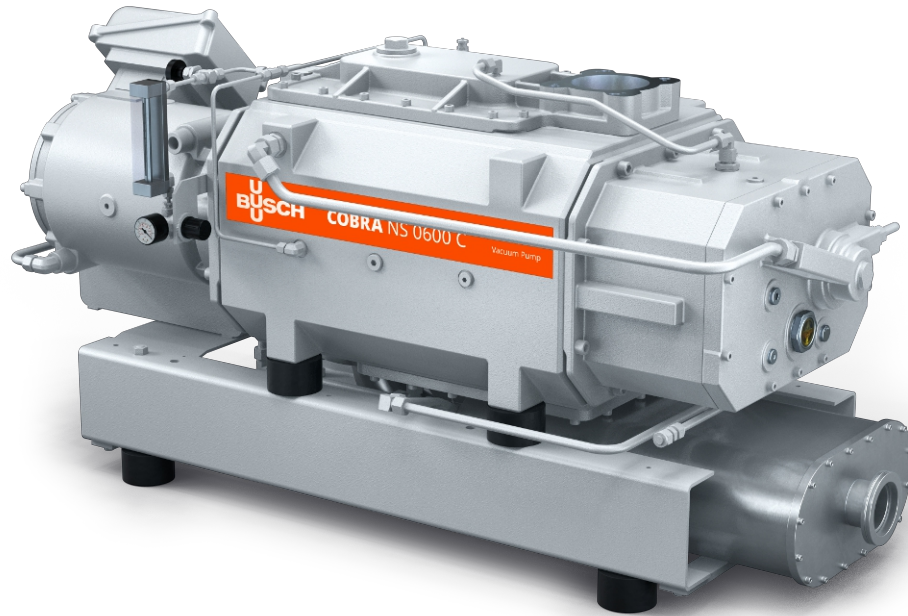


# COBRA NS 0070-0600 C

Dry screw vacuum pumps



VACUUM SOLUTIONS



## High performance

Advanced screw design, patented self-balancing screws, perfectly suited for coating applications, helium pumping or fluorination

## Efficient

Low cost of ownership, minimal maintenance, long service intervals, high uptime, efficient water cooling

## Leak-tight design

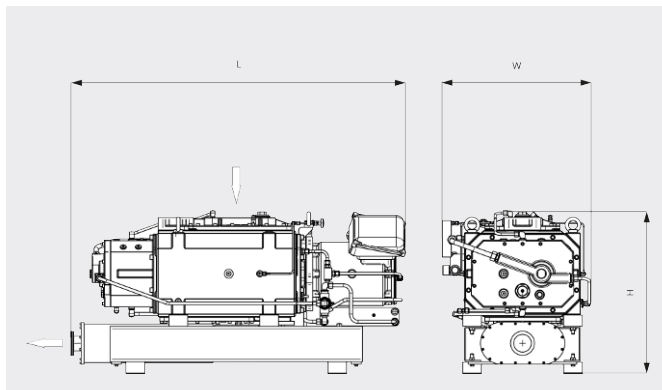
Integrated motor, no contamination of process gases, gas-tight

# COBRA NS 0070-0600 C

Dry screw vacuum pumps



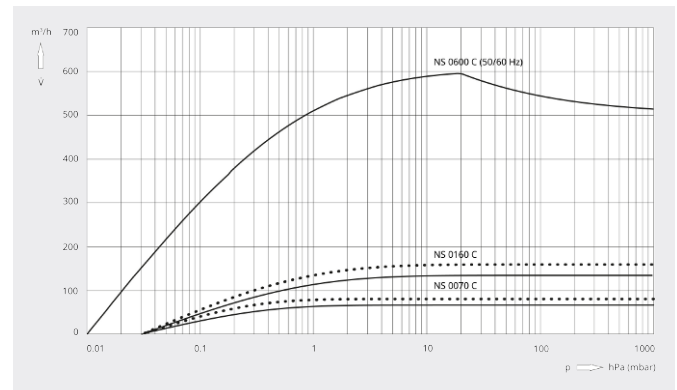
Dimensional drawing



Pumping speed

Air at 20°C. Tolerance: ± 10%

— 50 Hz ..... 60 Hz



|                               | COBRA NS 0070 C                                | COBRA NS 0160 C                                | COBRA NS 0600 C                                |
|-------------------------------|--|--|--|
| <b>Nominal pumping speed</b>  | 70 / 85 m³/h (50 / 60 Hz)                      | 135 / 160 m³/h (50 / 60 Hz)                    | 600 m³/h (50 / 60 Hz)                          |
| <b>Ultimate pressure</b>      | 3.0 · 10 <sup>-2</sup> hPa (mbar) (50 / 60 Hz) | 3.0 · 10 <sup>-2</sup> hPa (mbar) (50 / 60 Hz) | 1.0 · 10 <sup>-2</sup> hPa (mbar) (50 / 60 Hz) |
| <b>Nominal motor rating</b>   | 4.0 / 4.4 kW (50 / 60 Hz)                      | 5.5 / 6.6 kW (50 / 60 Hz)                      | 15 kW (50 / 60 Hz)                             |
| <b>Nominal motor speed</b>    | 3000 / 3600 min <sup>-1</sup> (50 / 60 Hz)     | 3000 / 3600 min <sup>-1</sup> (50 / 60 Hz)     | 3000 / 3600 min <sup>-1</sup> (50 / 60 Hz)     |
| <b>Noise level (ISO 2151)</b> | 62 dB(A) (50 / 60 Hz)                          | 68 dB(A) (50 / 60 Hz)                          | 68 dB(A) (50 / 60 Hz)                          |
| <b>Weight approx.</b>         | 250 kg   | 250 kg   | 600 kg   |
| <b>Dimensions (L x W x H)</b> | 809 x 483 x 416 mm                             | 873 x 483 x 416 mm                             | 1329 x 589 x 645 mm                            |
| <b>Gas inlet / outlet</b>     | DN 40 ISO-KF / DN 40 ISO-KF                    | DN 50 ISO-KF DN 40 ISO-KF                      | DN 100 ISO-K/ DN 100 ISO-K                     |

DO YOU WANT TO KNOW MORE?

Get in touch with us directly!  
[sales@busch.com.bd](mailto:sales@busch.com.bd) or +880 178 766 0359



CONTACT FORM



CALL NOW