

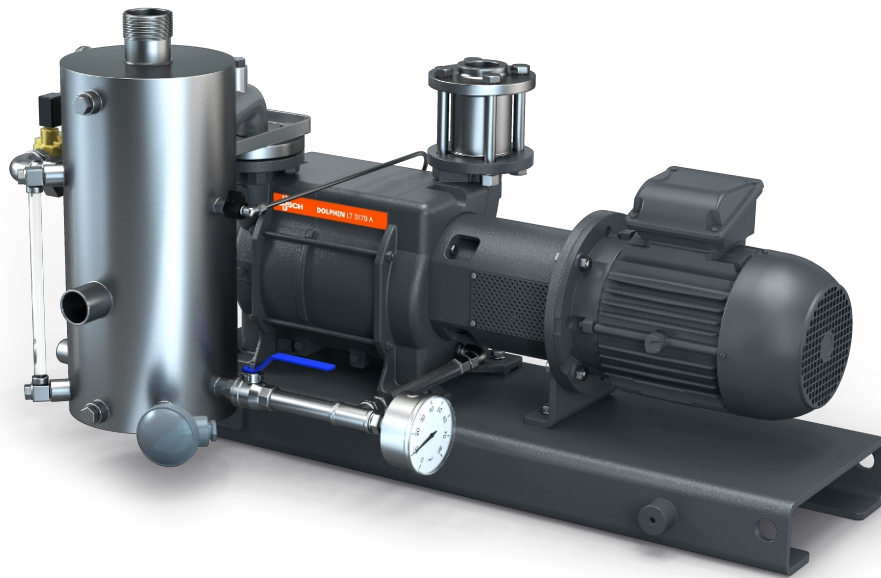
# DOLPHIN VL 0430-0750 A

## Partial Recirculation

Liquid ring vacuum pump units



VACUUM SOLUTIONS



### Robust

Proven technology, reliable operation, corrosion-free stainless steel impeller, extremely high vapor and particle tolerance, part of the operating fluid is recirculated, fresh liquid introduced in sufficient quantity to maintain proper temperature

### All-in-One

Unit with base frame, operating fluid separator, control system, including inlet check valve, fresh liquid supply kit, level indicator with switches, temperature and pressure indicators and cavitation protection

### Flexible

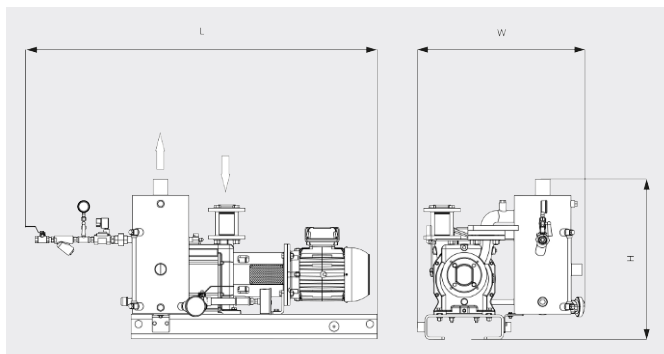
Choice of cast iron (EN-GJL-200) or 316 grade stainless steel material housings, ATEX-certified version available (Cat. 1 (i/o) IIC, T4), operating fluids other than water possible

# DOLPHIN VL 0430-0750 A Partial Recirculation

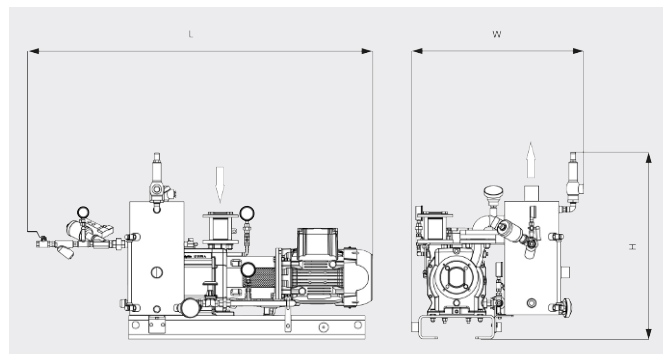
Liquid ring vacuum pump units



Dimensional drawing



Dimensional drawing



	DOLPHIN VL 0430 A Partial Recirculation	DOLPHIN VL 0510 A Partial Recirculation	DOLPHIN VL 0630 A Partial Recirculation	DOLPHIN VL 0750 A Partial Recirculation
<b>Nominal pumping speed</b>	340 / 419 m <sup>3</sup> /h (50 / 60 Hz)	430 / 515 m <sup>3</sup> /h (50 / 60 Hz)	498 / 574 m <sup>3</sup> /h (50 / 60 Hz)	600 / 710 m <sup>3</sup> /h (50 / 60 Hz)
<b>Ultimate pressure</b>	33 hPa (mbar) (50 / 60 Hz)	33 hPa (mbar) (50 / 60 Hz)	33 hPa (mbar) (50 / 60 Hz)	33 hPa (mbar) (50 / 60 Hz)
<b>Nominal motor rating</b>	11.0 / 15.0 kW (50 / 60 Hz)	11.0 / 15.0 kW (50 / 60 Hz)	15.0 / 22.0 kW (50 / 60 Hz)	18.5 / 30.0 kW (50 / 60 Hz)
<b>Weight approx.</b>	435 / 513 kg (Safe / ATEX)	465 / 543 kg (Safe / ATEX)	541 / 612 kg (Safe / ATEX)	593 / 685 kg (Safe / ATEX)
<b>Dimensions (L x W x H)</b>	1524 x 869 x 947 / 1642 x 936 x 1066 mm (Safe / ATEX)	1591 x 870 x 947 / 1702 x 936 x 1066 mm (Safe / ATEX)	1817 x 955 x 962 / 1811 x 1045 x 1243 mm (Safe / ATEX)	1822 x 955 x 962 / 1903 x 1045 x 1243 mm (Safe / ATEX)
<b>Gas inlet / outlet</b>	G 2" / R 3"	G 2" / R 3"	G 2½" / R 4"	G 2½" / R 4"

## DO YOU WANT TO KNOW MORE?

Get in touch with us directly!  
[sales@busch.com.bd](mailto:sales@busch.com.bd) or +880 178 766 0359



CONTACT FORM



CALL NOW