

# COBRA NX 0950 A

Dry screw vacuum pump



VACUUM SOLUTIONS



## High performance

Advanced screw design, patented self-balancing screws, excellent running qualities, perfectly suited for vacuum drying, freeze drying, degassing, heat treatment, thermoforming and many more

## Efficient

Intelligent variable speed drive, low cost of ownership, minimal maintenance, long service intervals, high uptime, efficient water cooling

## Robust

High vapor and particle tolerance, self-draining

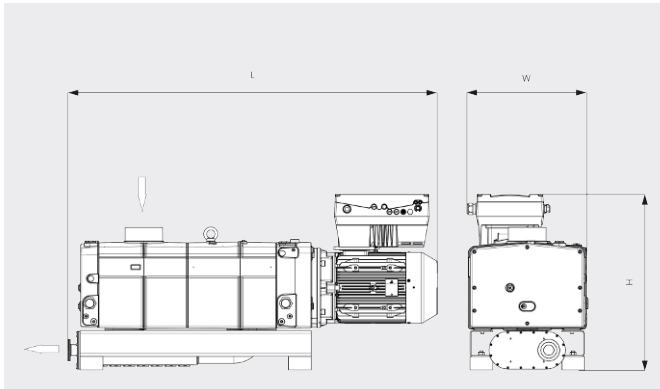
# COBRA NX 0950 A

Dry screw vacuum pump



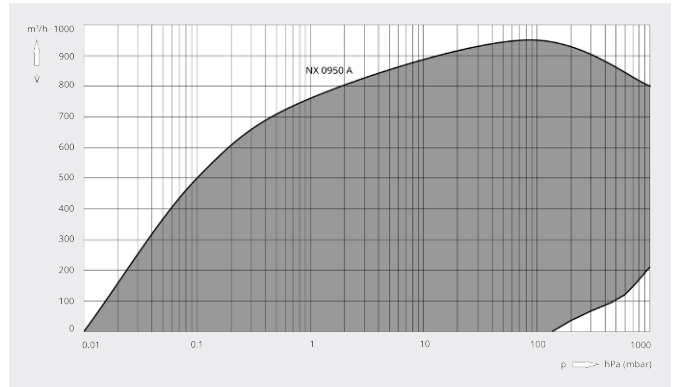
VACUUM SOLUTIONS

Dimensional drawing



Pumping speed  
Air at 20°C. Tolerance: ± 10%

■ Operating range



COBRA NX 0950 A	
Nominal pumping speed	max. 950 m³/h
Ultimate pressure	0.01 hPa (mbar)
Nominal motor rating	18,5 kW
Nominal motor speed	4320 min <sup>-1</sup>
Noise level (ISO 2151)	75 dB(A)
Weight approx.	1000 kg
Dimensions (L x W x H)	1672 x 526 x 776 mm
Gas inlet / outlet	G3" + ISO-K DN100 / ISO-K DN100

## DO YOU WANT TO KNOW MORE?

Get in touch with us directly!  
[sales@busch.com.au](mailto:sales@busch.com.au) or 1 800 639 087



CONTACT FORM



CALL NOW