

# SECO SV 1063-1100 B/C

Dry-running rotary vane vacuum pumps



## Compact

Direct-drive construction

## Reliable

Robust construction, proven performance, self-lubricating vanes, no operating fluids

## High performance

High uptime, high performance vanes

Accessories, spare parts and options

- Inlet filter
- Vacuum regulation valve
- Vacuum relief valve for SV 1063/1080 B
- Non-return valve (inlet)
- Hose nipple

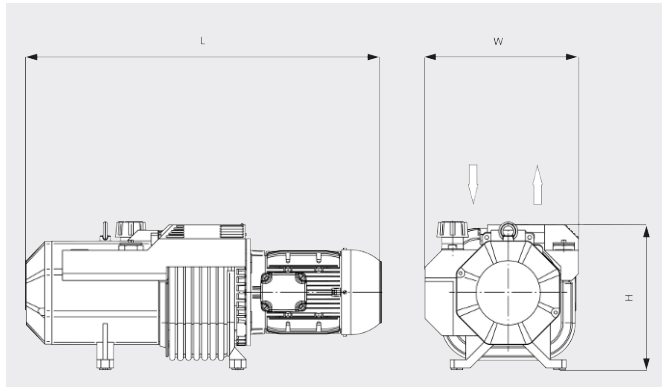
# SECO SV 1063-1100 B/C

Dry-running rotary vane vacuum pumps



VACUUM SOLUTIONS

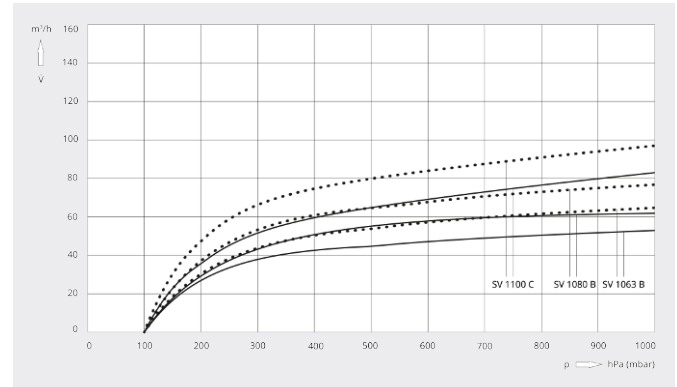
Dimensional drawing



Pumping speed

Air at 20°C. Tolerance: ± 10%

— 50 Hz ..... 60 Hz



	SECO SV 1063 B	SECO SV 1080 B	SECO SV 1100 C
<b>Nominal pumping speed</b>	55 / 65 m³/h (50 / 60 Hz)	62 / 77 m³/h (50 / 60 Hz)	83 / 97 m³/h (50 / 60 Hz)
<b>Ultimate pressure</b>	100 hPa (mbar) (50 / 60 Hz)	100 hPa (mbar) (50 / 60 Hz)	100 hPa (mbar) (50 / 60 Hz)
<b>Nominal motor rating</b>	1.7 / 2.2 kW (50 / 60 Hz)	2.2 / 3.0 kW (50 / 60 Hz)	3.0 / 4.0 kW (50 / 60 Hz)
<b>Nominal motor speed</b>	1500 / 1800 min <sup>-1</sup> (50 / 60 Hz)	1500 / 1800 min <sup>-1</sup> (50 / 60 Hz)	1500 / 1800 min <sup>-1</sup> (50 / 60 Hz)
<b>Noise level (ISO 2151)</b>	75 / 76 dB(A) (50 / 60 Hz)	76 / 77 dB(A) (50 / 60 Hz)	77 / 78 dB(A) (50 / 60 Hz)
<b>Weight approx.</b>	82 kg	90 kg	120 kg
<b>Dimensions (L x W x H)</b>	763 x 428 x 342 mm	798 x 428 x 342 mm	849 x 375 x 346 mm
<b>Gas inlet / outlet</b>	G 1¼" / G 1¼"	G 1¼" / G 1¼"	G 1¼" / G 1¼"

## DO YOU WANT TO KNOW MORE?

Get in touch with us directly!  
[sales@busch.com.au](mailto:sales@busch.com.au) or 1 800 639 087



CONTACT FORM



CALL NOW