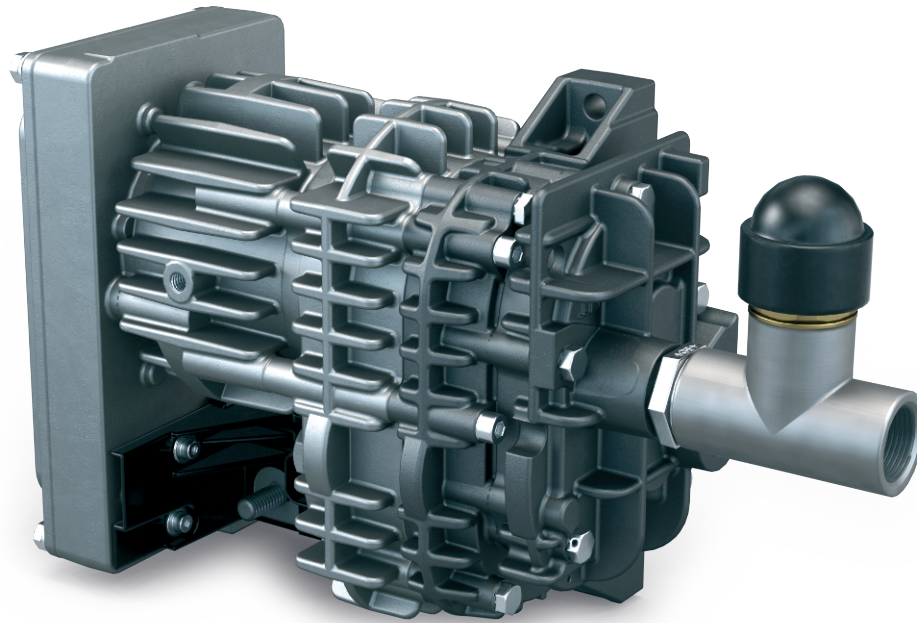


MINK MB 0018 A

Dry claw vacuum pump



VACUUM SOLUTIONS



Robust

Specially designed for mobile applications, may be operated under extreme conditions, in temperature ranges between -40 °C and +40 °C and at elevations between -1,000 m and 4,000 m, resistant to severe vibration

Efficient

Latest claw vacuum technology, dry and contact-free compression, no contamination of pumped medium, intelligent variable speed drive, low energy consumption, long life cycle without servicing

Compact

Small footprint due to "all-in-one" design

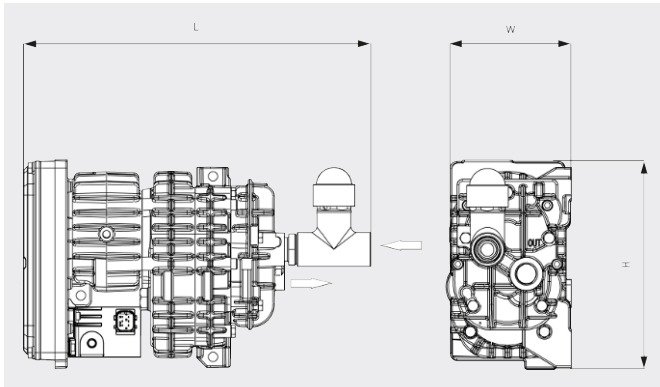
MINK MB 0018 A

Dry claw vacuum pump



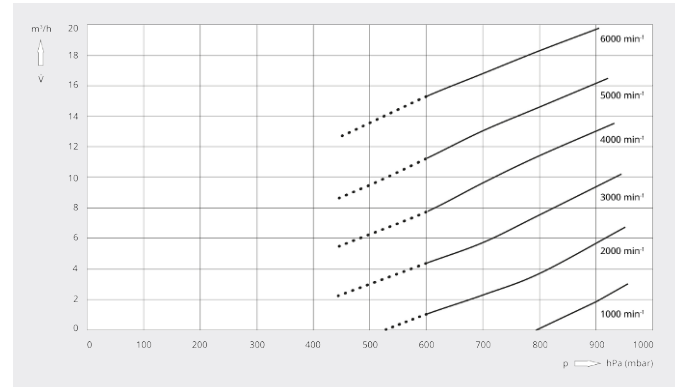
VACUUM SOLUTIONS

Dimensional drawing



Pumping speed

Air at 20°C. Tolerance: ± 10%



| MINK MB 0018 A | |
|------------------------|------------------------|
| Nominal pumping speed | 18 m ³ /h |
| Ultimate pressure | 600 / 450 hPa (mbar) |
| Nominal motor rating | 0.5 kW |
| Nominal motor speed | 6000 min ⁻¹ |
| Ambient temperature | -40 ... +40 |
| Noise level (ISO 2151) | 73 dB(A) |
| Weight approx. | 6.5 kg |
| Dimensions (L x W x H) | 329.5 x 120 x 199 mm |
| Gas inlet / outlet | G ¾" / G ½" |

DO YOU WANT TO KNOW MORE?

Get in touch with us directly!
sales@busch.com.au or 1 800 639 087



CONTACT FORM



CALL NOW