

COMBI CMM (MINK + MINK)

Vacuum pump unit



VACUUM SOLUTIONS



Efficient

Latest dry claw vacuum technology, substantial energy savings compared to conventional vacuum generators, cost-effective

Nearly maintenance-free

Dry and contact-free operation, solution based on MINK MM dry claw vacuum pumps

Flexible

Easy adaption to individual customer requirements and processes

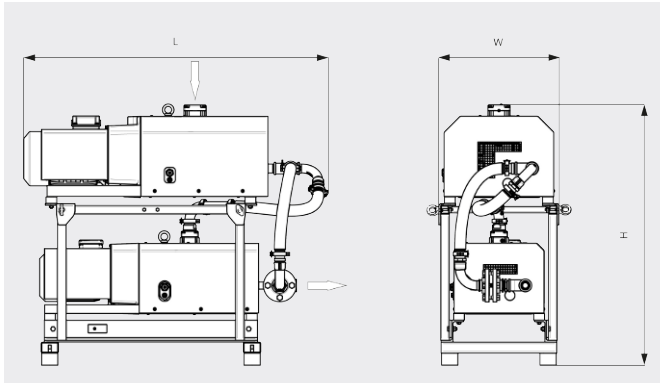
COMBI CMM (MINK + MINK)

Vacuum pump unit



VACUUM SOLUTIONS

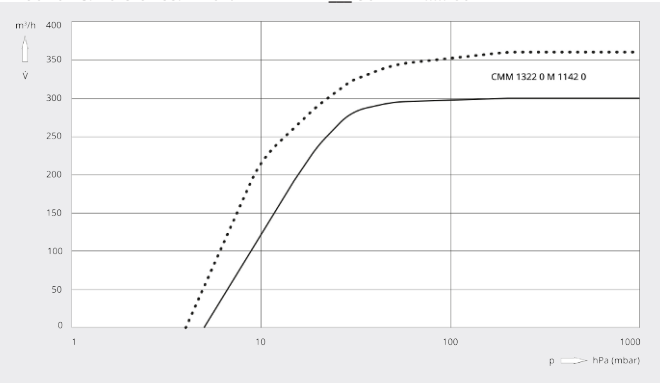
Dimensional drawing



Pumping speed

Air at 20 °C. Tolerance: ± 10%

— 50 Hz 60 Hz



| COMBI CMM | |
|------------------------|--|
| Nominal pumping speed | 300 / 360 m ³ /h (50 / 60 Hz) |
| Ultimate pressure | 10 hPa(mbar) (50 / 60 Hz) |
| Nominal motor rating | 9.5 / 12.8 kW (50 / 60 Hz) |
| Nominal motor speed | 3000 / 3600 min ⁻¹ (50 / 60 Hz) |
| Dimensions (L x W x H) | 1385 x 546 x 1184 mm |
| Gas inlet / outlet | G 2" / G 1½" |

DO YOU WANT TO KNOW MORE?

Get in touch with us directly!
sales@busch.com.au or 1 800 639 087



CONTACT FORM



CALL NOW