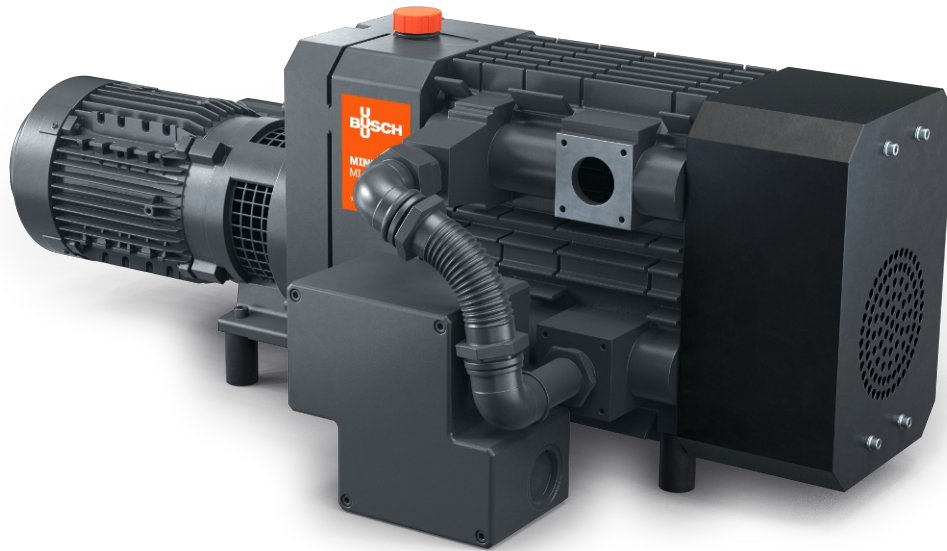


# MINK MI 2124/2122 BV

Dry claw vacuum pumps



VACUUM SOLUTIONS



## Efficient

Substantial energy savings compared to conventional vacuum generators, minimized operating costs

## Nearly maintenance-free

Dry and contact-free operation

## High performance

Low ultimate pressure due to two-stage construction

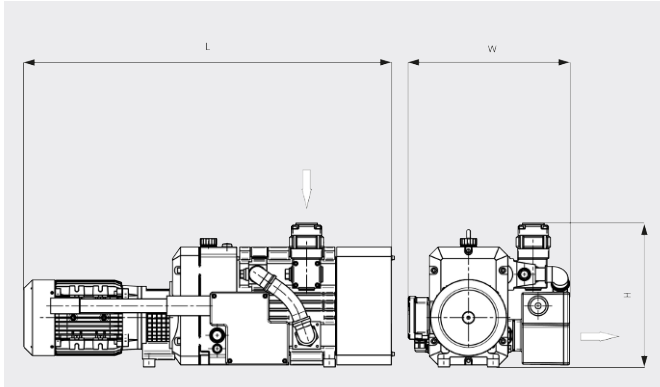
# MINK MI 2124/2122 BV

Dry claw vacuum pumps



VACUUM SOLUTIONS

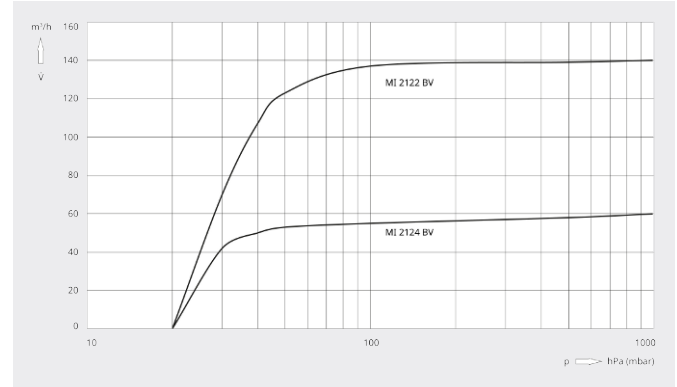
Dimensional drawing



Pumping speed

Air at 20°C. Tolerance: ± 10%

— 50 Hz    ..... 60 Hz



	MINK MI 2124 BV	MINK MI 2122 BV
<b>Nominal pumping speed</b>	50 / 60 m <sup>3</sup> /h (50 / 60 Hz)	120 / 140 m <sup>3</sup> /h (50 / 60 Hz)
<b>Ultimate pressure</b>	20 hPa (mbar) (50 / 60 Hz)	20 hPa (mbar) (50 / 60 Hz)
<b>Nominal motor rating</b>	1.5 kW (50 Hz) 2.0 / 2.4 kW (50 / 60 Hz)	4.2 kW (50 Hz) 5.1 / 6.8 kW (50 / 60 Hz)
<b>Nominal motor speed</b>	1500 / 1800 min <sup>-1</sup> (50 / 60 Hz)	3000 / 3600 min <sup>-1</sup> (50 / 60 Hz)
<b>Noise level (ISO 2151)</b>	75 / 77 dB(A) (50 / 60 Hz)	81 / 84 dB(A) (50 / 60 Hz)
<b>Weight approx.</b>	135 kg	145 kg
<b>Dimensions (L x W x H)</b>	940 x 415 x 370 mm	970 x 430 x 370 mm
<b>Gas inlet / outlet</b>	G 1¼" / G 1"	G 1¼" / G 1"

## DO YOU WANT TO KNOW MORE?

Get in touch with us directly!  
[sales@busch.com.au](mailto:sales@busch.com.au) or 1 800 639 087



CONTACT FORM



CALL NOW