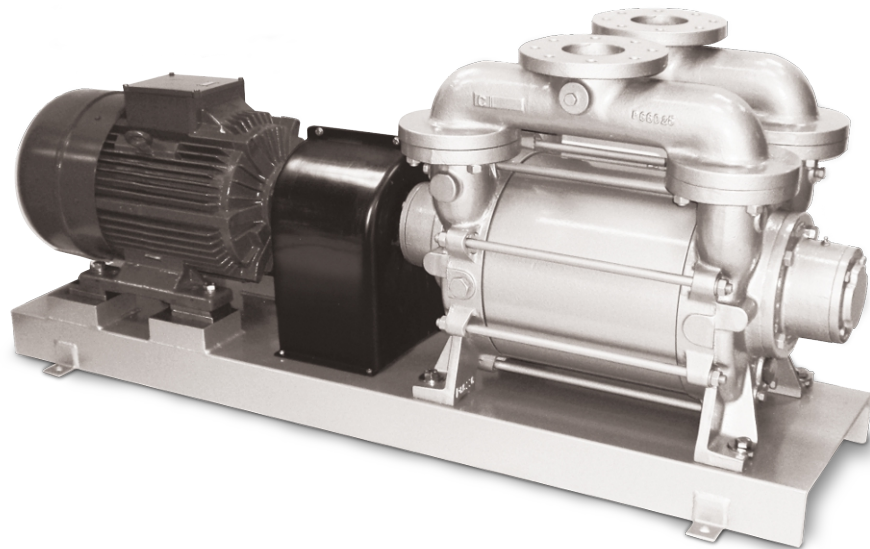


DOLPHIN LA 1908–2808 A

Liquid ring vacuum pumps



Robust

Proven technology, durable single-stage construction

Reliable

Extremely high vapor and particle tolerance

Flexible

Wide range of construction materials, including cast iron (EN-GJL-200), many grades of stainless steel and even titanium, ATEX-certified version available (Cat 1(i)/2(o) IIC T5), different operating fluids possible, operation as compressor possible

Accessories, spare parts and options

- Partial or total recirculation systems
- Liquid separator
- Cavitation protection
- Heat exchanger
- Gas ejector
- Wide selection of motors
- Non-return valves
- Vacuum relief valves

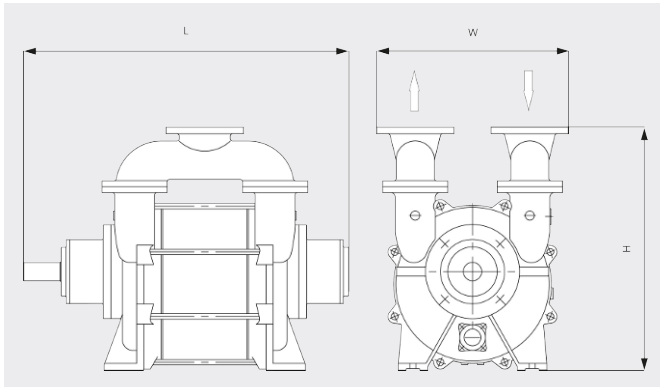
DOLPHIN LA 1908–2808 A

Liquid ring vacuum pumps



VACUUM SOLUTIONS

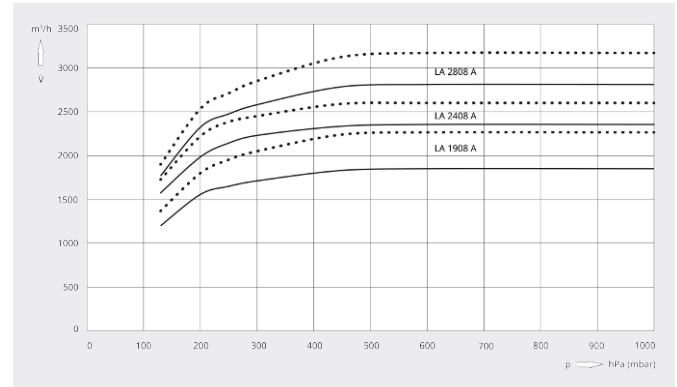
Dimensional drawing



Pumping speed

Air at 20°C. Tolerance: ± 10%

— 50 Hz 60 Hz



| | DOLPHIN LA 1908 A | DOLPHIN LA 2408 A | DOLPHIN LA 2808 A |
|-------------------------------|--|--|--|
| Nominal pumping speed | 1900 / 2250 m³/h (50 / 60 Hz) | 2400 / 2600 m³/h (50 / 60 Hz) | 2800 / 3150 m³/h (50 / 60 Hz) |
| Ultimate pressure | 130 hPa (mbar) (50 / 60 Hz) | 130 hPa (mbar) (50 / 60 Hz) | 130 hPa (mbar) (50 / 60 Hz) |
| Nominal motor rating | 75 / 90 kW (50 / 60 Hz) | 75 / 110 kW (50 / 60 Hz) | 90 / 150 kW (50 / 60 Hz) |
| Nominal motor speed | 735 / 880 min ⁻¹ (50 / 60 Hz) | 735 / 880 min ⁻¹ (50 / 60 Hz) | 735 / 880 min ⁻¹ (50 / 60 Hz) |
| Noise level (ISO 2151) | 79 dB(A) (50 / 60 Hz) | 79 dB(A) (50 / 60 Hz) | 79 dB(A) (50 / 60 Hz) |
| Weight approx. | 1445 kg | 1610 kg | 1770 kg |
| Dimensions (L x W x H) | (1418 – 1698) x 650 x 1060 mm | (1518 – 1798) x 650 x 1060 mm | (1618 – 1898) x 650 x 1060 mm |
| Gas inlet / outlet | DN 200 PN 10 / DN 200 PN 10 | DN 200 PN 10 / DN 200 PN 10 | DN 200 PN 10 / DN 200 PN 10 |

DO YOU WANT TO KNOW MORE?

Get in touch with us directly!
sales@busch.com.au or 1 800 639 087



CONTACT FORM



CALL NOW