

MINK MM 1202-1322 AP

Dry claw compressors



VACUUM SOLUTIONS



Flexible

Designed for numerous industrial applications of up to 2.0 bar(g), inlet filter and pressure relief valve as standard

Reliable

Effective air cooling, constantly high volume flow throughout the entire life cycle

Nearly maintenance-free

Dry and contact-free compression

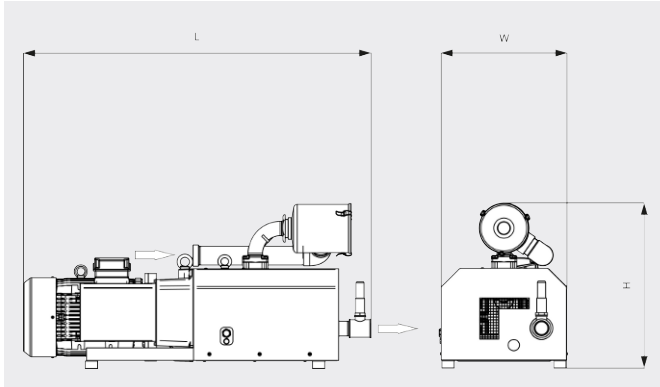
MINK MM 1202-1322 AP

Dry claw compressors



VACUUM SOLUTIONS

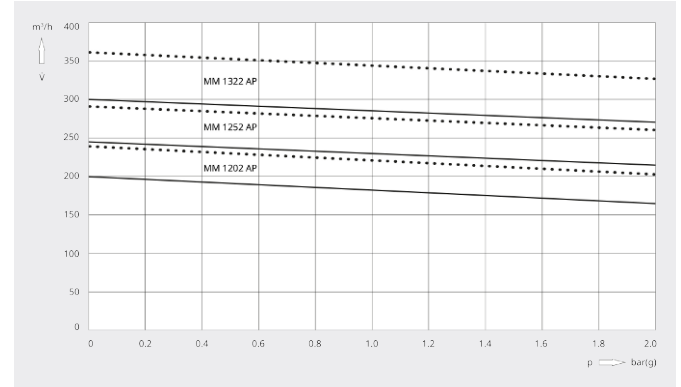
Dimensional drawing



Volume flow

Air at 20°C. Tolerance: ± 10%

— 50 Hz 60 Hz



	MINK MM 1202 AP	MINK MM 1202 AP	MINK MM 1202 AP
Volume flow (at inlet)	200 / 240 m³/h (50 / 60 Hz)	200 / 240 m³/h (50 / 60 Hz)	200 / 240 m³/h (50 / 60 Hz)
Overpressure	0.8 / 1.1 bar(g) (50 / 60 Hz)	1.2 / 1.8 bar(g) (50 / 60 Hz)	2.0 bar(g) (50 / 60 Hz)
Nominal motor rating	6.0 / 9.5 kW (50 / 60 Hz)	7.5 / 12.5 kW (50 / 60 Hz)	11.0 / 13.5 kW (50 / 60 Hz)
Nominal motor speed	3000 / 3600 min ⁻¹ (50 / 60 Hz)	3000 / 3600 min ⁻¹ (50 / 60 Hz)	3000 / 3600 min ⁻¹ (50 / 60 Hz)
Noise level (ISO 2151)	80 / 83 dB(A) (50 / 60 Hz)	80 / 83 dB(A) (50 / 60 Hz)	80 / 83 dB(A) (50 / 60 Hz)
Weight approx.	210 kg	210 kg	210 kg
Dimensions (L x W x H)	1345 x 515 x 665 mm	1345 x 515 x 665 mm	1345 x 515 x 665 mm
Gas outlet	G 2"	G 2"	G 2"

	MINK MM 1252 AP	MINK MM 1252 AP	MINK MM 1252 AP
Volume flow (at inlet)	245 / 290 m³/h (50 / 60 Hz)	245 / 290 m³/h (50 / 60 Hz)	245 / 290 m³/h (50 / 60 Hz)
Overpressure	0.9 / 0.7 bar(g) (50 / 60 Hz)	1.6 / 1.4 bar(g) (50 / 60 Hz)	2.0 bar(g) (50 / 60 Hz)
Nominal motor rating	7.5 / 9.0 kW (50 / 60 Hz)	10.6 / 12.6 kW (50 / 60 Hz)	12.5 / 15.6 kW (50 / 60 Hz)
Nominal motor speed	3000 / 3600 min ⁻¹ (50 / 60 Hz)	3000 / 3600 min ⁻¹ (50 / 60 Hz)	3000 / 3600 min ⁻¹ (50 / 60 Hz)
Noise level (ISO 2151)	81 / 84 dB(A) (50 / 60 Hz)	81 / 84 dB(A) (50 / 60 Hz)	81 / 84 dB(A) (50 / 60 Hz)
Weight approx.	230 kg	230 kg	230 kg

MINK MM 1202-1322 AP

Dry claw compressors



VACUUM SOLUTIONS

	MINK MM 1252 AP	MINK MM 1252 AP	MINK MM 1252 AP
Dimensions (L x W x H)	1390 x 515 x 665 mm	1390 x 515 x 665 mm	1390 x 515 x 665 mm
Gas outlet	G 2"	G 2"	G 2"

	MINK MM 1322 AP	MINK MM 1322 AP	MINK MM 1322 AP
Volume flow (at inlet)	300 / 360 m ³ /h (50 / 60 Hz)	300 / 360 m ³ /h (50 / 60 Hz)	300 / 360 m ³ /h (50 / 60 Hz)
Overpressure	1.0 / 0.8 bar(g) (50 / 60 Hz)	1.7 / 1.5 bar(g) (50 / 60 Hz)	2.0 bar(g) (50 / 60 Hz)
Nominal motor rating	10.5 / 12.5 kW (50 / 60 Hz)	14.9 / 17.2 kW (50 / 60 Hz)	16.5 / 21.0 kW (50 / 60 Hz)
Nominal motor speed	3000 / 3600 min ⁻¹ (50 / 60 Hz)	3000 / 3600 min ⁻¹ (50 / 60 Hz)	3000 / 3600 min ⁻¹ (50 / 60 Hz)
Noise level (ISO 2151)	82 / 85 dB(A) (50 / 60 Hz)	82 / 85 dB(A) (50 / 60 Hz)	82 / 85 dB(A) (50 / 60 Hz)
Weight approx.	255 kg	255 kg	255 kg
Dimensions (L x W x H)	1425 x 515 x 665 mm	1425 x 515 x 665 mm	1425 x 515 x 665 mm
Gas outlet	G 2"	G 2"	G 2"

DO YOU WANT TO KNOW MORE?

Get in touch with us directly!
sales@busch.com.au or 1 800 639 087



CONTACT FORM



CALL NOW