

DOLPHIN LB 0526/0726 A

Liquid ring vacuum pumps



VACUUM SOLUTIONS



Robust

Proven technology, durable two-stage construction

Reliable

Extremely high vapor and particle tolerance

Flexible

Wide range of construction materials, including cast iron (EN-GJL-200), many grades of stainless steel and even titanium, ATEX-certified version available (Cat 1(i)/2(o) IIC T5), operating fluids other than water possible, operation as compressor possible

Accessories, spare parts and options

- Partial or total recirculation systems
- Liquid separator
- Cavitation protection
- Heat exchanger
- Gas ejector
- Wide selection of motors
- Non-return valves
- Vacuum relief valves

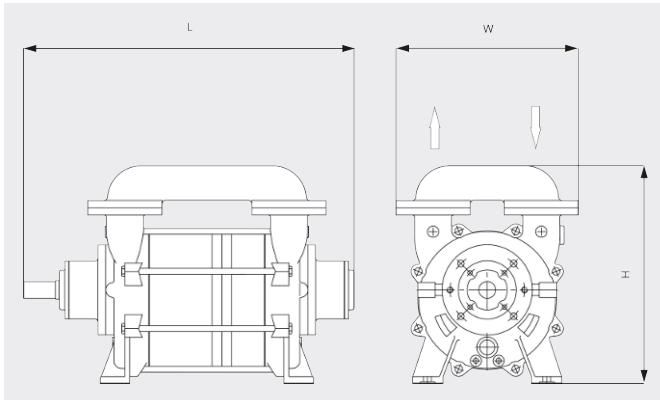
DOLPHIN LB 0526/0726 A

Liquid ring vacuum pumps



VACUUM SOLUTIONS

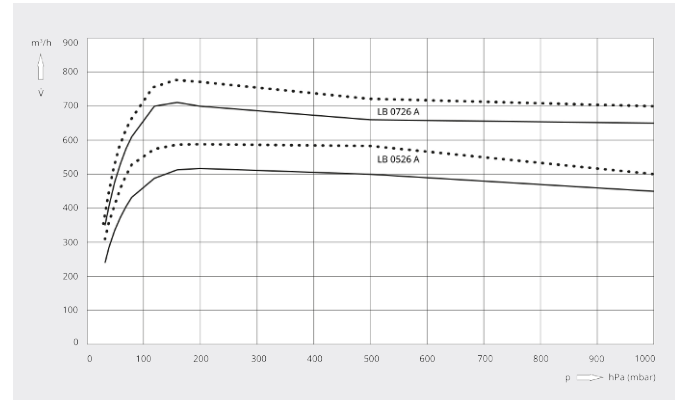
Dimensional drawing



Pumping speed

Air at 20°C. Tolerance: ± 10%

— 50 Hz 60 Hz



	DOLPHIN LB 0526 A	DOLPHIN LB 0726 A
Nominal pumping speed	520 / 580 m³/h (50 / 60 Hz)	720 / 770 m³/h (50 / 60 Hz)
Ultimate pressure	33 hPa (mbar) (50 / 60 Hz)	33 hPa (mbar) (50 / 60 Hz)
Max. overpressure	2 bar(g) (50 / 60 Hz)	2 bar(g) (50 / 60 Hz)
Nominal motor rating	18.5 / 22 – 30 kW (50 / 60 Hz)	22 / 30 – 37 kW (50 / 60 Hz)
Nominal motor speed	1150 / 1450 – 1750 min ⁻¹ (50 / 60 Hz)	1150 / 1450 – 1750 min ⁻¹ (50 / 60 Hz)
Noise level (ISO 2151)	74 / 75 dB(A) (50 / 60 Hz)	74 / 75 dB(A) (50 / 60 Hz)
Weight approx.	264 kg	278 kg
Dimensions (L x W x H)	(886 – 1046) x 400 x 470 mm	(1006 – 1166) x 400 x 470 mm
Gas inlet / outlet	DN 80 PN 10 / DN 80 PN 10	DN 80 PN 10 / DN 80 PN 10

DO YOU WANT TO KNOW MORE?

Get in touch with us directly!
sales@busch.com.au or 1 800 639 087



CONTACT FORM



CALL NOW