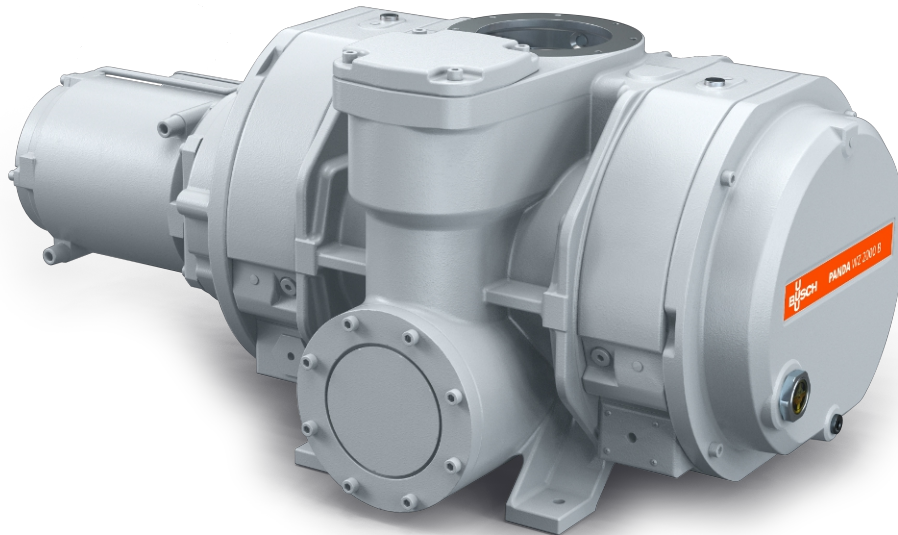


# PANDA WZ 0250-2000 B

Vacuum boosters



VACUUM SOLUTIONS



## Reliable

Solid lobe design, robust construction, reliable under varying operating conditions, leak-tight, barrier gas connection

## High performance

Excellent volumetric efficiency, high ultimate pressure, increases the performance of a vacuum system by up to a factor of ten, integrated bypass valve, specially designed for medium and high vacuum applications including semiconductor processes

## Flexible

Can be flanged directly on the system at any position, boosts the performance of all types of backing pumps, with vertical or lateral discharge

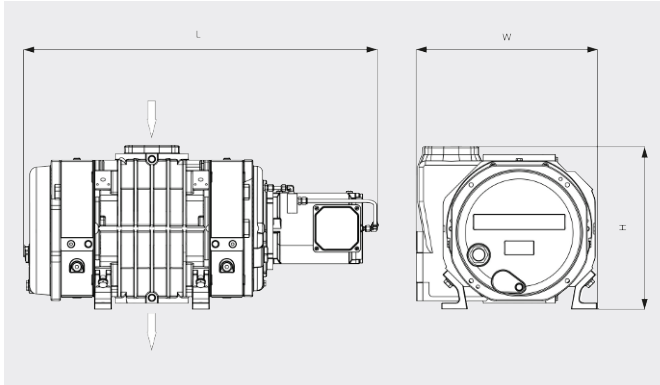
# PANDA WZ 0250-2000 B

Vacuum boosters



VACUUM SOLUTIONS

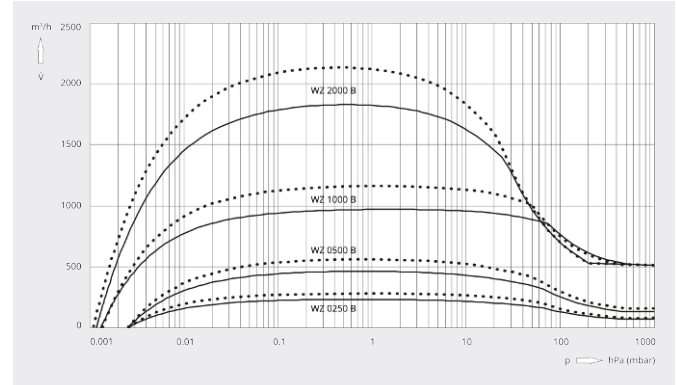
Dimensional drawing



Pumping speed

Air at 20°C. Tolerance: ± 10%

— 50 Hz ..... 60 Hz



|  | PANDA WZ 0250 B                            | PANDA WZ 0500 B                            | PANDA WZ 1000 B                            | PANDA WZ 2000 B                            |
|--|--|--|--|--|
| <b>Nominal pumping speed</b>           | 263 / 315 m³/h (50 / 60 Hz)                | 525 / 630 m³/h (50 / 60 Hz)                | 1050 / 1260 m³/h (50 / 60 Hz)              | 2120 / 2540 m³/h (50 / 60 Hz)              |
| <b>Pumping speed</b>                   | 233 / 281 m³/h (50 / 60 Hz)                | 464 / 560 m³/h (50 / 60 Hz)                | 971 / 1160 m³/h (50 / 60 Hz)               | 1830 / 2132 m³/h (50 / 60 Hz)              |
| <b>Max. differential pressure</b>      | 100 hPa (mbar) (50 / 60 Hz)                | 100 hPa (mbar) (50 / 60 Hz)                | 53 hPa (mbar) (50 / 60 Hz)                 | 43 hPa (mbar) (50 / 60 Hz)                 |
| <b>Leakage rate</b>                    | ≤ 1 · 10 <sup>-6</sup> mbar · l/s          | ≤ 1 · 10 <sup>-6</sup> mbar · l/s          | ≤ 1 · 10 <sup>-6</sup> mbar · l/s          | ≤ 1 · 10 <sup>-6</sup> mbar · l/s          |
| <b>Nominal motor rating</b>            | 1.5 / 1.8 kW (50 / 60 Hz)                  | 4.0 / 4.4 kW (50 / 60 Hz)                  | 4.0 / 4.4 kW (50 / 60 Hz)                  | 5.5 / 6.6 kW (50 / 60 Hz)                  |
| <b>Nominal motor speed</b>             | 1500 / 1800 min <sup>-1</sup> (50 / 60 Hz) | 3000 / 3600 min <sup>-1</sup> (50 / 60 Hz) | 3000 / 3600 min <sup>-1</sup> (50 / 60 Hz) | 3000 / 3600 min <sup>-1</sup> (50 / 60 Hz) |
| <b>Weight approx.</b>                  | 165 kg                                     | 175 kg                                     | 270 kg                                     | 510 kg                                     |
| <b>Dimensions (L x W x H)</b>          | 819 x 372 x 422 mm                         | 819 x 372 x 422 mm                         | 870 x 402 x 483 mm                         | 1086 x 558 x 503 mm                        |
| <b>Gas inlet / outlet (vertical)</b>   | DN 100 ISO / DN 100 ISO                    | DN 100 ISO / DN 100 ISO                    | DN 160 ISO / DN 100 ISO                    | DN 160 ISO / DN 160 ISO                    |
| <b>Gas inlet / outlet (horizontal)</b> | DN 100 ISO / DN 63 ISO                     | DN 100 ISO / DN 63 ISO                     | DN 160 ISO / DN 100 ISO                    | DN 160 ISO / DN 160 ISO                    |

DO YOU WANT TO KNOW MORE?

Get in touch with us directly!  
[sales@busch.com.au](mailto:sales@busch.com.au) or 1 800 639 087



CONTACT FORM



CALL NOW