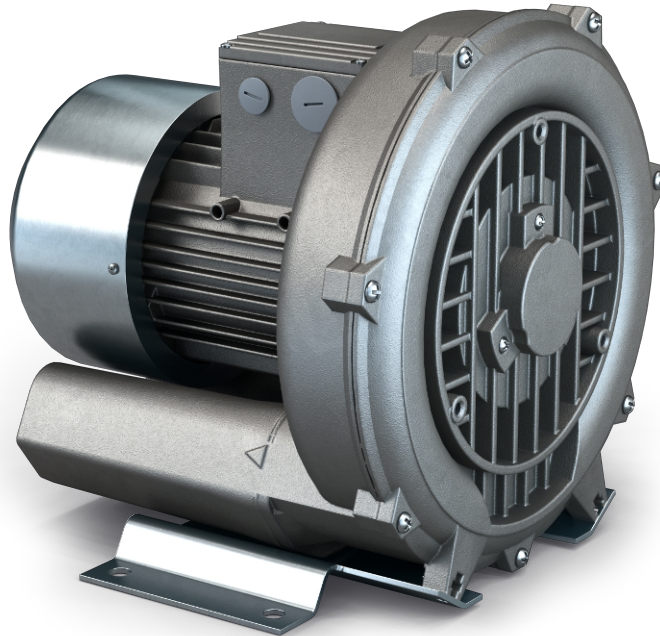


SAMOS SB 0050-0200 D0

Side channel blowers



VACUUM SOLUTIONS



Reliable

Robust and light-weight construction, effective air cooling, long lifetime, nearly maintenance-free, dry and contact-free operating principle

Flexible

Vacuum or overpressure operation, horizontal and vertical installation, various design options and ATEX-certified versions available

Quiet

Very low noise level, fully enclosed unit, internal silencers

Accessories

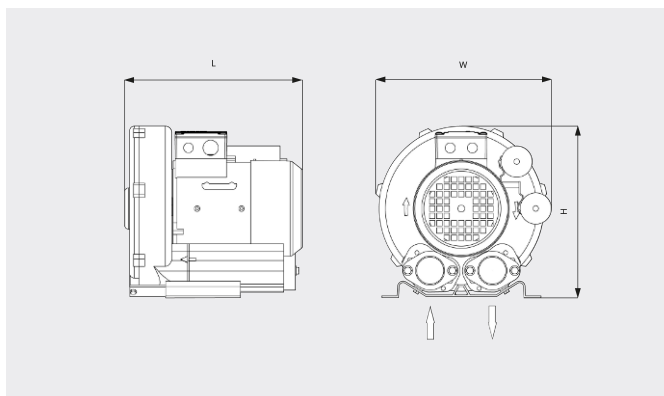
- Vacuum relief valves
- Pressure relief valves
- Additional silencers
- Thermal protection (bimetal switch or PTC-thermistor)
- Inlet filter for vacuum or pressure operation

SAMOS SB 0050-0200 D0

Side channel blowers

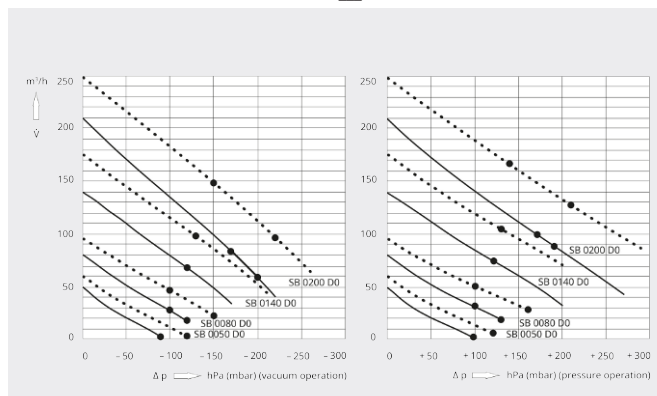


Dimensional drawing



Pumping speed/Volume flow
Air at 20°C. Tolerance: ± 10%

— 50 Hz 60 Hz



| | SAMOS SB 0050 D0 | SAMOS SB 0080 D0 | SAMOS SB 0080 D0 |
|---|--|--|--|
| Nominal pumping speed/volume flow | 50 / 60 m³/h (50 / 60 Hz) | 80 / 96 m³/h (50 / 60 Hz) | 80 / 96 m³/h (50 / 60 Hz) |
| Max. differential pressure (vacuum version) | -90 / -120 hPa (mbar) (50 / 60 Hz) | -100 hPa (mbar) (50 / 60 Hz) | -120 / -150 hPa (mbar) (50 / 60 Hz) |
| Max. differential pressure (overpressure version) | +100 / +120 hPa (mbar) (50 / 60 Hz) | +100 hPa (mbar) (50 / 60 Hz) | +130 / +160 hPa (mbar) (50 / 60 Hz) |
| Nominal motor rating | 0.2 / 0.23 kW (50 / 60 Hz) | 0.25 / 0.29 kW (50 / 60 Hz) | 0.4 / 0.5 kW (50 / 60 Hz) |
| Nominal motor speed | 2850 / 3450 min ⁻¹ (50 / 60 Hz) | 2850 / 3450 min ⁻¹ (50 / 60 Hz) | 2850 / 3450 min ⁻¹ (50 / 60 Hz) |
| Noise level (ISO 3744) | 50 / 53 dB(A) (50 / 60 Hz) | 53 / 56 dB(A) (50 / 60 Hz) | 53 / 56 dB(A) (50 / 60 Hz) |
| Weight approx. | 7 kg | 10 kg | 10 kg |
| Dimensions (L x W x H) | 256 x 246 x 247 mm | 256 x 253 x 247 mm | 256 x 253 x 247 mm |
| Gas inlet / outlet | G 1¼" / G 1¼" | G 1¼" / G 1¼" | G 1¼" / G 1¼" |

| | SAMOS SB 0140 D0 | SAMOS SB 0200 D0 | SAMOS SB 0200 D0 |
|---|--|--|--|
| Nominal pumping speed/volume flow | 140 / 175 m³/h (50 / 60 Hz) | 210 / 250 m³/h (50 / 60 Hz) | 210 / 250 m³/h (50 / 60 Hz) |
| Max. differential pressure (vacuum version) | -120 / -130 hPa (mbar) (50 / 60 Hz) | -170 / -150 hPa (mbar) (50 / 60 Hz) | -200 / -220 hPa (mbar) (50 / 60 Hz) |
| Max. differential pressure (overpressure version) | +120 / +130 hPa (mbar) (50 / 60 Hz) | +170 / +140 hPa (mbar) (50 / 60 Hz) | +190 / +210 hPa (mbar) (50 / 60 Hz) |
| Nominal motor rating | 0.7 / 0.83 kW (50 / 60 Hz) | 1.3 / 1.5 kW (50 / 60 Hz) | 1.6 / 2.05 kW (50 / 60 Hz) |
| Nominal motor speed | 2850 / 3450 min ⁻¹ (50 / 60 Hz) | 2850 / 3450 min ⁻¹ (50 / 60 Hz) | 2850 / 3450 min ⁻¹ (50 / 60 Hz) |

SAMOS SB 0050-0200 D0

Side channel blowers



VACUUM SOLUTIONS

| | SAMOS SB 0140 D0 | SAMOS SB 0200 D0 | SAMOS SB 0200 D0 |
|------------------------|----------------------------|----------------------------|----------------------------|
| Noise level (ISO 3744) | 63 / 64 dB(A) (50 / 60 Hz) | 64 / 70 dB(A) (50 / 60 Hz) | 64 / 70 dB(A) (50 / 60 Hz) |
| Weight approx. | 13 kg | 23 kg | 23 kg |
| Dimensions (L x W x H) | 269 x 285 x 302 mm | 346 x 334 x 347 mm | 346 x 334 x 347 mm |
| Gas inlet / outlet | G 1½" / G 1½" | G 2" / G 2" | G 2" / G 2" |

DO YOU WANT TO KNOW MORE?

Get in touch with us directly!
sales@busch.com.au or 1 800 639 087



CONTACT FORM



CALL NOW