

PANDA WV 4500 B

Vacuum boosters



VACUUM SOLUTIONS



Reliable

Solid lobe design, robust construction, reliable under varying operating conditions, barrier gas connection

High performance

Excellent volumetric efficiency, high ultimate pressure, increases the performance of a vacuum system by up to a factor of ten, integrated bypass valve, specially designed for rough and medium vacuum applications

Flexible

Can be flanged directly on the system at any position, boosts the performance of all types of backing pumps, with vertical or lateral discharge, perfectly suited for a wide range of applications

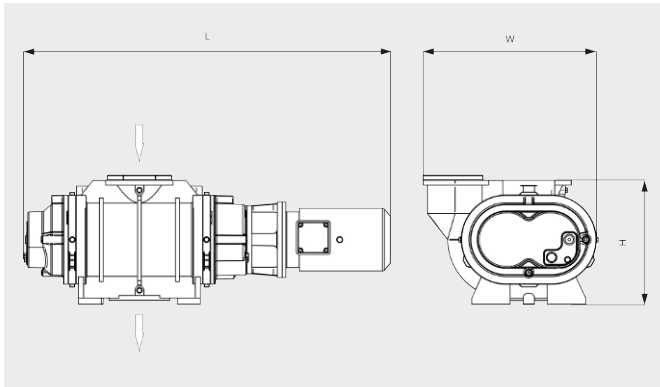
PANDA WV 4500 B

Vacuum boosters



VACUUM SOLUTIONS

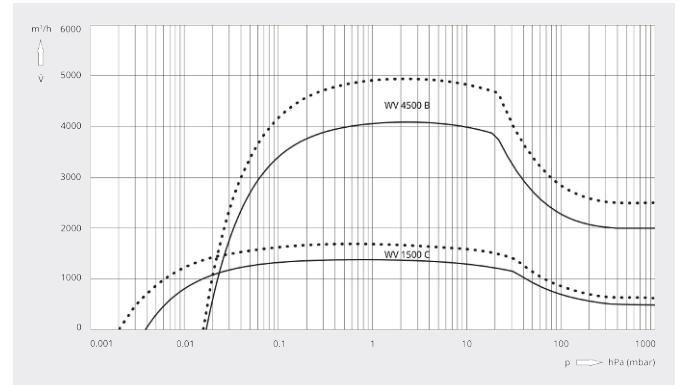
Dimensional drawing



Pumping speed

Air at 20°C. Tolerance: ± 10%

— 50 Hz 60 Hz



| PANDA WV 4500 B | |
|----------------------------|--|
| Nominal pumping speed | 4500 / 5400 m³/h (50 / 60 Hz) |
| Pumping speed | 4100 / 4950 m³/h (50 / 60 Hz) |
| Max. differential pressure | 25 hPa (mbar) (50 / 60 Hz) |
| Nominal motor rating | 11.0 / 12.6 kW (50 / 60 Hz) |
| Nominal motor speed | 3000 / 3600 min ⁻¹ (50 / 60 Hz) |
| Weight approx. | 690 kg |
| Dimensions (L x W x H) | 690 x 690 x 510 mm |
| Gas inlet / outlet | DN 250 ISO / DN 160 ISO |

DO YOU WANT TO KNOW MORE?

Get in touch with us directly!
sales@busch.com.au or 1 800 639 087



CONTACT FORM



CALL NOW