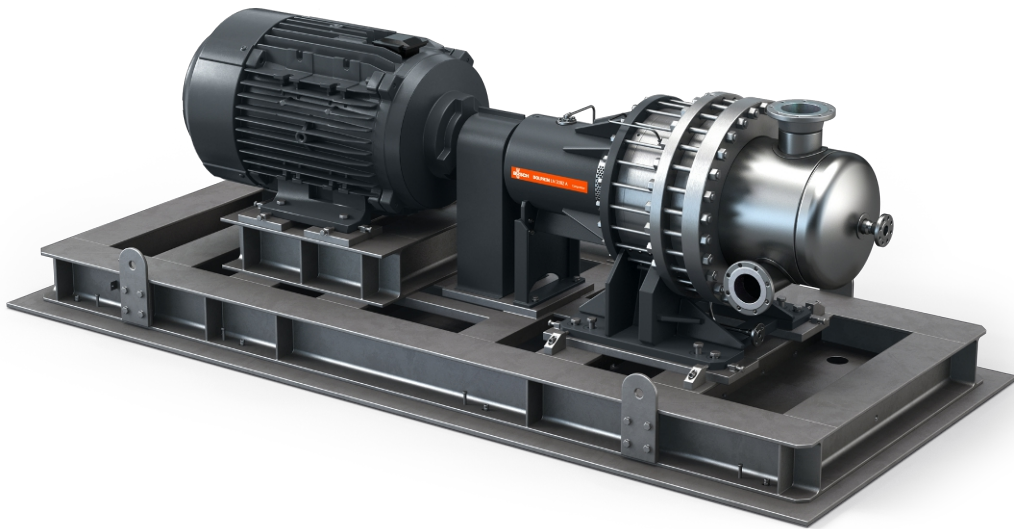


DOLPHIN LN 3001/3002 A (Former NSB SB 1.25/2.25)

Liquid ring compressors



VACUUM SOLUTIONS



Robust

API standard, ATEX-certified, test run without operating fluids possible, extremely high vapor and particle tolerance

Easy servicing

Quick replacement of bearings and mechanical seals, no impeller adjustment needed, cleaning in place (CIP) with hot steam possible

Simple operation

Direct start function under full discharge pressure, reaches full performance after ten seconds

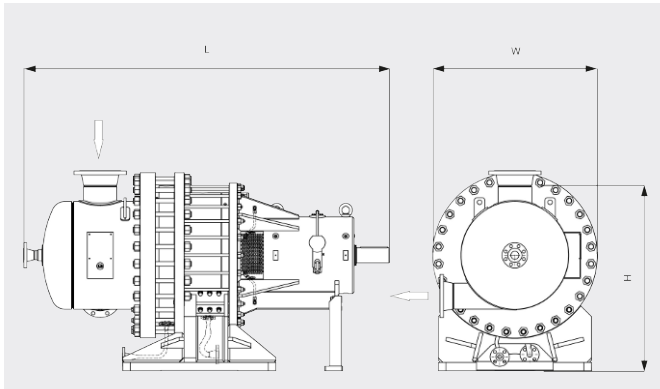
DOLPHIN LN 3001/3002 A (Former NSB SB 1.25/2.25)

Liquid ring compressors



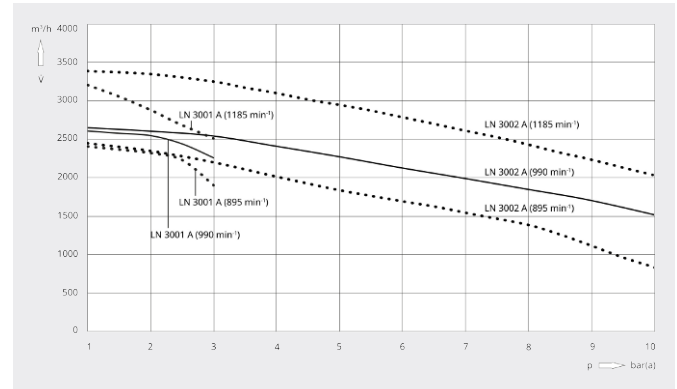
VACUUM SOLUTIONS

Dimensional drawing



Pumping speed

Dry air at 20°C. Operating fluid water 15°C. Tolerance: ± 10%



	DOLPHIN LN 3001 A	DOLPHIN LN 3002 A Preliminary
Volume flow	2300 / 2700 m ³ /h	2500 / 3200 m ³ /h
Overpressure	3 bar(a)	10 bar(a)
Nominal motor rating	260 / 370 kW	590 / 800 kW
Nominal motor speed	990 / 1185 min ⁻¹	990 / 1185 min ⁻¹
Noise level (ISO 2151)	85 / 88 dB(A)	87 / 90 dB(A)
Max. temperature of inlet gas stream	90 °C	90 °C
Weight approx.	3600 kg	3720 kg
Dimensions (L x W x H)	2285 x 1075 x 1300 mm	2384 x 1075 x 1300 mm
Gas inlet / outlet	DN 200 PN 16 / DN 150 PN 16	DN 200 PN 16 / DN 150 PN 16

DO YOU WANT TO KNOW MORE?

Get in touch with us directly!
sales@busch.com.au or 1 800 639 087



CONTACT FORM



CALL NOW