

SECO SV 1063-1100 B/C

Dry-running rotary vane vacuum pumps



VACUUM SOLUTIONS



Compact

Direct-drive construction

Reliable

Robust construction, proven performance, self-lubricating vanes, no operating fluids

High performance

High uptime, high performance vanes

Accessories, spare parts and options

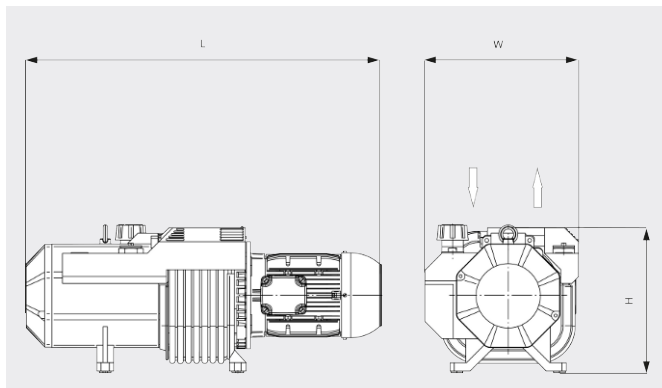
- Inlet filter
- Vacuum regulation valve
- Vacuum relief valve for SV 1063/1080 B
- Non-return valve (inlet)
- Hose nipple

SECO SV 1063-1100 B/C

Dry-running rotary vane vacuum pumps



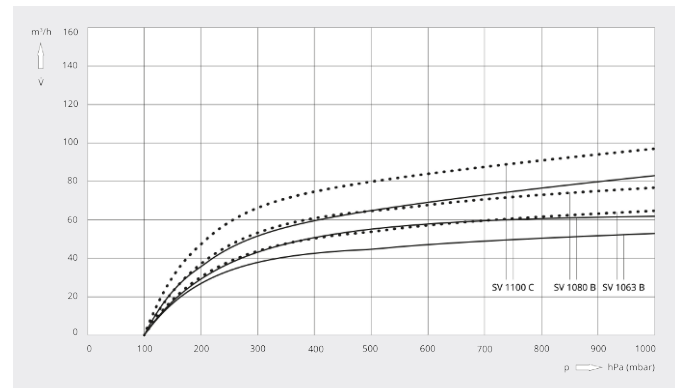
Dimensional drawing



Pumping speed

Air at 20°C. Tolerance: ± 10%

— 50 Hz 60 Hz



	SECO SV 1063 B	SECO SV 1080 B	SECO SV 1100 C
Nominal pumping speed	55 / 65 m ³ /h (50 / 60 Hz)	62 / 77 m ³ /h (50 / 60 Hz)	83 / 97 m ³ /h (50 / 60 Hz)
Ultimate pressure	100 hPa (mbar) (50 / 60 Hz)	100 hPa (mbar) (50 / 60 Hz)	100 hPa (mbar) (50 / 60 Hz)
Nominal motor rating	1.7 / 2.2 kW (50 / 60 Hz)	2.2 / 3.0 kW (50 / 60 Hz)	3.0 / 4.0 kW (50 / 60 Hz)
Nominal motor speed	1500 / 1800 min ⁻¹ (50 / 60 Hz)	1500 / 1800 min ⁻¹ (50 / 60 Hz)	1500 / 1800 min ⁻¹ (50 / 60 Hz)
Noise level (ISO 2151)	75 / 76 dB(A) (50 / 60 Hz)	76 / 77 dB(A) (50 / 60 Hz)	77 / 78 dB(A) (50 / 60 Hz)
Weight approx.	82 kg	90 kg	120 kg
Dimensions (L x W x H)	763 x 428 x 342 mm	798 x 428 x 342 mm	849 x 375 x 346 mm
Gas inlet / outlet	G 1¼" / G 1¼"	G 1¼" / G 1¼"	G 1¼" / G 1¼"

DO YOU WANT TO KNOW MORE?

Get in touch with us directly!
busch@busch.at or +43 (0)2262 75665-0



CONTACT FORM



CALL NOW