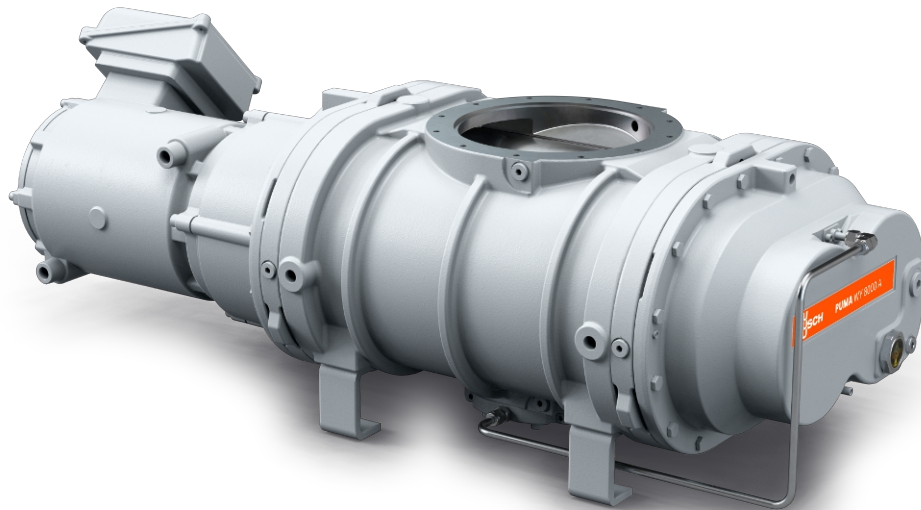


# PUMA WY 8000 A

Vacuum booster



## Reliable

Special lobe design to prevent powder and particle deposits, robust construction made of GGG40 material, leak-tight

## High performance

Specially designed for harsh applications in the medium and high vacuum range, including semiconductor processes with powder and dust, excellent volumetric efficiency

## Flexible

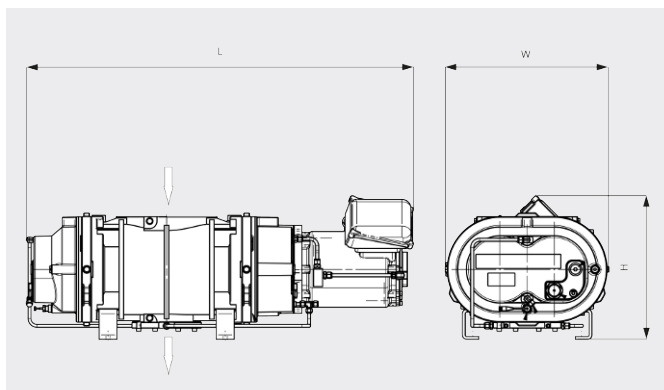
Reliable performance under varying operating conditions, boosts the performance of all types of backing pumps

# PUMA WY 8000 A

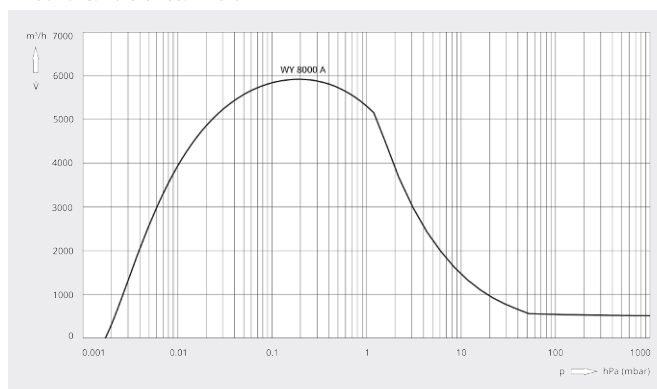
Vacuum booster



Dimensional drawing



Pumping speed  
Air at 20°C. Tolerance: ± 10%



PUMA WY 8000 A	
Nominal pumping speed	8100 m³/h
Pumping speed	5920 m³/h *
Max. differential pressure	15 hPa (mbar)
Nominal motor rating	11 kW
Nominal motor speed	5400 min <sup>-1</sup>
Weight approx.	515 kg
Leakage rate	< 1 · 10 <sup>-6</sup> mbar · l/s
Dimensions (L x W x H)	1283 x 543 x 475 mm
Gas inlet / outlet	DN 250 ISO / DN 100 ISO

\*Pumping speed with COBRA NS 0600 C as backing pump running at 50 / 60 Hz  
Frequency converter is necessary

## DO YOU WANT TO KNOW MORE?

Get in touch with us directly!  
busch@busch.at or +43 (0)2262 75665-0



CONTACT FORM



CALL NOW