

# APOVAC AP 0260/0330 A

Vacuum systems for chemical and pharmaceutical industries



## Proven performance

Standard vacuum system with proven DOLPHIN liquid ring vacuum pumps, specially designed for major processes in chemical and pharmaceutical industries, such as distillation, crystallization, filtration, vacuum drying

## Robust

Handling of toxic, corrosive or explosive gases, extremely high vapor and particle tolerance, for harsh process conditions, double condensation to ensure minimum carryover and maximum solvent recovery

## Cost-effective

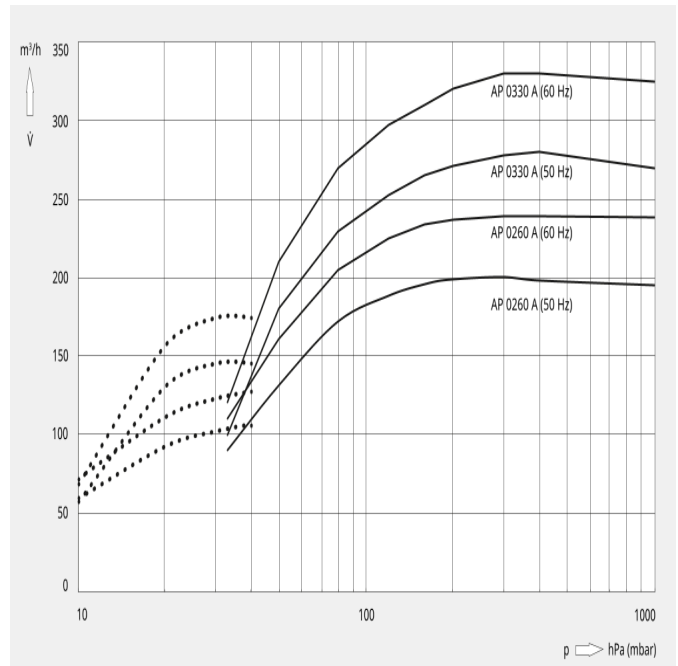
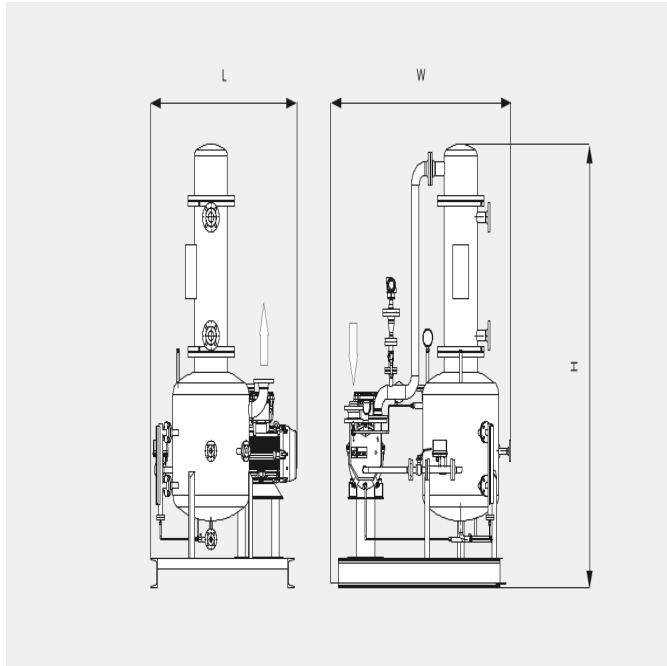
Low operating costs, high uptime, minimal maintenance, long service life

# APOVAC AP 0260/0330 A

Vacuum systems for chemical and pharmaceutical industries



## Dimensional drawing



The following technical values refer to ISO 50 Hz

	AP 0260 A	AP 0330 A
<b>Nominal pumping speed</b>	200 m <sup>3</sup> /h	280 m <sup>3</sup> /h
<b>Ultimate pressure</b>	33 hPa (mbar)	33 hPa (mbar)
<b>Nominal motor rating</b>	5.5 kW	7.5 kW
<b>Nominal motor speed</b>	1450 min <sup>-1</sup>	1450 min <sup>-1</sup>
<b>Weight approx.</b>	700 kg	750 kg
<b>Dimensions (L x W x H)</b>	1400 x 1300 x 2300 mm	1400 x 1300 x 2300 mm
<b>Gas inlet</b>	DN 50	DN 50
<b>Gas outlet</b>	DN 65	DN 65

The following technical values refer to ISO 60 Hz

	AP 0260 A	AP 0330 A
<b>Nominal pumping speed</b>	240 m <sup>3</sup> /h	330 m <sup>3</sup> /h
<b>Ultimate pressure</b>	10 (with optional ejector) hPa (mbar)	10 (with optional ejector) hPa (mbar)

# APOVAC AP 0260/0330 A

Vacuum systems for chemical and pharmaceutical industries



VACUUM SOLUTIONS

	AP 0260 A	AP 0330 A
Nominal motor rating	7.5 kW	11.0 kW
Nominal motor speed	1750 min <sup>-1</sup>	1750 min <sup>-1</sup>
Weight approx.	700 kg	750 kg
Dimensions (L x W x H)	1400 x 1300 x 2300 mm	1400 x 1300 x 2300 mm
Gas inlet	DN 50	DN 50
Gas outlet	DN 65	DN 65

DO YOU WANT TO KNOW MORE

Please contact us!  
sales@busch.ae or +971 6552 8654



CONTACT FORM



CALL US NOW