

R5 RA 0165-0305 D

Oil-lubricated rotary vane vacuum pumps



Reliable

Robust construction, highly resilient carbon fiber vanes, proven rotary vane technology, long service life

High performance

High pumping speed at low pressures, designed for continuous operation in the rough vacuum range

Flexible

Various design options available, easy adaption to individual customer requirements and processes

Accessories

- Gas-ballast valve
- Various inlet filters
- Energy recuperation kit with heat exchanger
- Oil level switch
- Temperature sensors
- Filter pressure gauge
- Vacuum pump oils for all applications
- Vacuum regulating unit

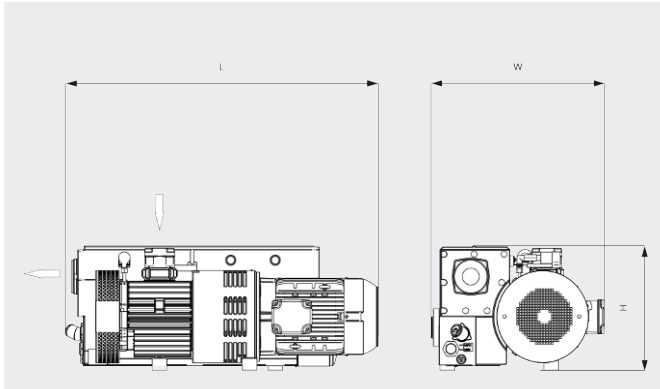
R5 RA 0165-0305 D

Oil-lubricated rotary vane vacuum pumps



VACUUM SOLUTIONS

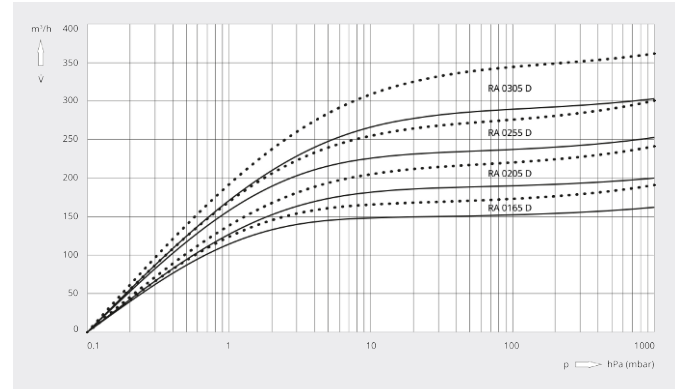
Dimensional drawing



Pumping speed

Air at 20°C. Tolerance: ± 10%

— 50 Hz 60 Hz



	R5 RA 0165 D	R5 RA 0205 D	R5 RA 0255 D	R5 RA 0305 D
Nominal pumping speed	160 / 190 m³/h (50 / 60 Hz)	200 / 240 m³/h (50 / 60 Hz)	250 / 300 m³/h (50 / 60 Hz)	300 / 360 m³/h (50 / 60 Hz)
Ultimate pressure (gas-ballast valve closed)	0.1 hPa (mbar) (50 / 60 Hz)	0.1 hPa (mbar) (50 / 60 Hz)	0.1 hPa (mbar) (50 / 60 Hz)	0.1 hPa (mbar) (50 / 60 Hz)
Ultimate pressure (gas-ballast valve open)	0.5 hPa (mbar) (50 / 60 Hz)	0.5 hPa (mbar) (50 / 60 Hz)	0.5 hPa (mbar) (50 / 60 Hz)	0.5 hPa (mbar) (50 / 60 Hz)
Nominal motor rating	5.5 / 6.6 kW (50 / 60 Hz)	5.5 / 6.6 kW (50 / 60 Hz)	7.5 / 9.2 kW (50 / 60 Hz)	8.3 / 10.0 kW (50 / 60 Hz)
Nominal motor speed	1500 / 1800 min ⁻¹ (50 / 60 Hz)	1500 / 1800 min ⁻¹ (50 / 60 Hz)	1500 / 1800 min ⁻¹ (50 / 60 Hz)	1500 / 1800 min ⁻¹ (50 / 60 Hz)
Power consumption at 100 mbar	3.7 / 4.7 kW (50 / 60 Hz)	4.2 / 5.2 kW (50 / 60 Hz)	5.5 / 6.6 kW (50 / 60 Hz)	6.1 / 7.2 kW (50 / 60 Hz)
Power consumption at ultimate pressure	2.4 / 2.9 kW (50 / 60 Hz)	3.3 / 4.0 kW (50 / 60 Hz)	4.1 / 4.5 kW (50 / 60 Hz)	4.7 / 5.1 kW (50 / 60 Hz)
Noise level (ISO 2151)	70 / 72 dB(A) (50 / 60 Hz)	72 / 74 dB(A) (50 / 60 Hz)	72 / 74 dB(A) (50 / 60 Hz)	74 / 76 dB(A) (50 / 60 Hz)
Oil capacity	6.5 l	6.5 l	6.5 l	6.5 l
Weight approx.	160 kg	160 kg	195 kg	195 kg
Dimensions (L x W x H)	977 x 583 x 418 mm	977 x 583 x 418 mm	1056 x 583 x 418 mm	1057 x 583 x 418 mm
Gas inlet / outlet	G 2" / G 2"	G 2" / G 2"	G 2" / G 2"	G 2" / G 2"

DO YOU WANT TO KNOW MORE?

Get in touch with us directly!
sales@busch.ae or +971 6552 8654



CONTACT FORM



CALL NOW