

SECO SV 1010-1040 C/D

Dry-running rotary vane vacuum pumps



VACUUM SOLUTIONS



Compact

Direct-drive construction

Reliable

Robust construction, proven performance, self-lubricating vanes, no operating fluids

High performance

High performance Aerodur 274 Zirkon vanes, extended lifetime, extremely resistant to wear and humidity

Accessories, spare parts and options

- Inlet filter
- Vacuum regulation valve
- Non-return valve (inlet)
- Hose nipple

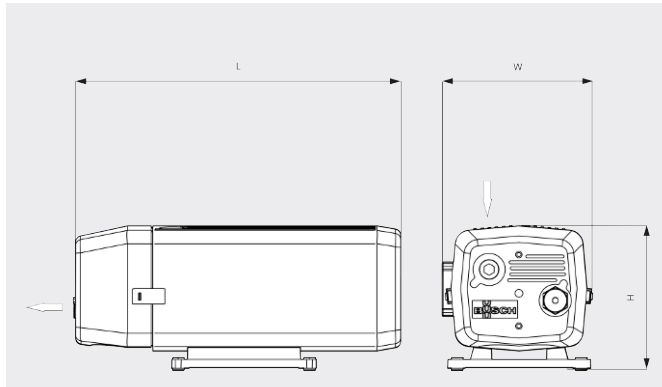
SECO SV 1010-1040 C/D

Dry-running rotary vane vacuum pumps



VACUUM SOLUTIONS

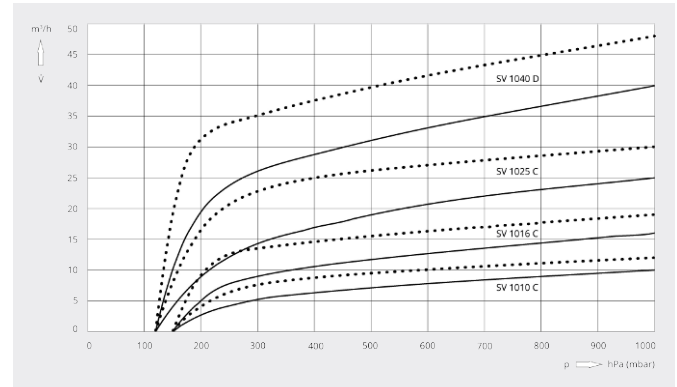
Dimensional drawing



Pumping speed

Air at 20°C. Tolerance: ± 10%

— 50 Hz 60 Hz



	SECO SV 1010 C	SECO SV 1016 C	SECO SV 1025 C	SECO SV 1040 D
Nominal pumping speed	10 / 12 m³/h (50 / 60 Hz)	16 / 19 m³/h (50 / 60 Hz)	25 / 30 m³/h (50 / 60 Hz)	40 / 48 m³/h (50 / 60 Hz)
Ultimate pressure	150 hPa (mbar) (50 / 60 Hz)	150 hPa (mbar) (50 / 60 Hz)	120 hPa (mbar) (50 / 60 Hz)	120 hPa (mbar) (50 / 60 Hz)
Nominal motor rating	0.37 kW (50 / 60 Hz)	0.55 kW (50 / 60 Hz)	0.9 kW (50 / 60 Hz)	1.25 kW (50 / 60 Hz)
Nominal motor speed	1500 / 1800 min ⁻¹ (50 / 60 Hz)	1500 / 1800 min ⁻¹ (50 / 60 Hz)	1500 / 1800 min ⁻¹ (50 / 60 Hz)	1500 / 1800 min ⁻¹ (50 / 60 Hz)
Noise level (ISO 2151)	58 / 61 dB(A) (50 / 60 Hz)	60 / 65 dB(A) (50 / 60 Hz)	66 / 65 dB(A) (50 / 60 Hz)	65 / 64 dB(A) (50 / 60 Hz)
Weight approx.	21 kg	25 kg	33 kg	38 kg
Dimensions (L x W x H)	413 x 239 x 224 mm	440 x 239 x 224 mm	499 x 253 x 246 mm	554 x 257 x 246 mm
Gas inlet / outlet	G ½" / G ½"	G ½" / G ½"	G ¾" / G ¾"	G ¾" / G ¾"

DO YOU WANT TO KNOW MORE?

Get in touch with us directly!
sales@busch.ae or +971 6552 8654



CONTACT FORM



CALL NOW