

# MINK MM 1104-1142 BP

Dry claw compressors



VACUUM SOLUTIONS



## Flexible

Designed for numerous industrial applications of up to 2.0 bar(g), inlet filter and pressure relief valve as standard

## Reliable

Effective air cooling, constantly high volume flow throughout the entire life cycle

## Nearly maintenance-free

Dry and contact-free compression

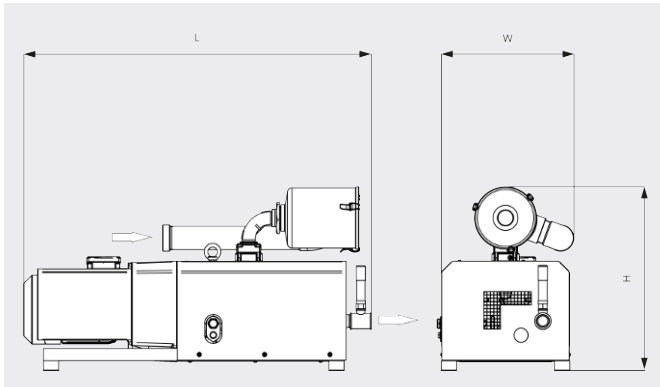
# MINK MM 1104-1142 BP

Dry claw compressors



VACUUM SOLUTIONS

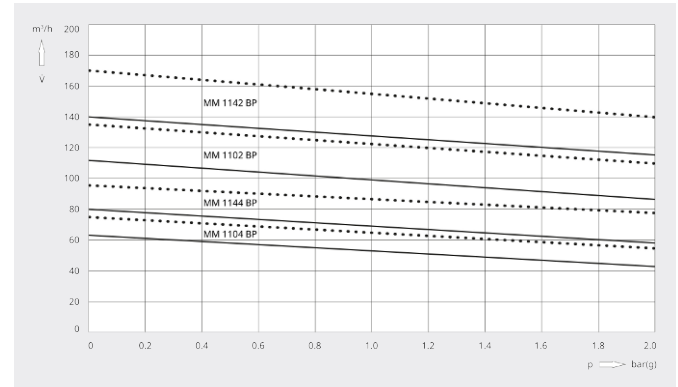
Dimensional drawing



Volume flow

Air at 20°C. Tolerance: ± 10%

— 50 Hz ..... 60 Hz



	MINK MM 1104 BP	MINK MM 1104 BP	MINK MM 1104 BP
Volume flow (at inlet)	62 / 75 m³/h (50 / 60 Hz)	62 / 75 m³/h (50 / 60 Hz)	62 / 75 m³/h (50 / 60 Hz)
Overpressure	1.2 / 0.8 bar(g) (50 / 60 Hz)	1.8 / 1.4 bar(g) (50 / 60 Hz)	2.0 bar(g) (50 / 60 Hz)
Nominal motor rating	2.2 kW (50 / 60 Hz)	2.9 / 3.0 kW (50 / 60 Hz)	3.2 / 3.8 kW (50 / 60 Hz)
Nominal motor speed	1500 / 1800 min <sup>-1</sup> (50 / 60 Hz)	1500 / 1800 min <sup>-1</sup> (50 / 60 Hz)	1500 / 1800 min <sup>-1</sup> (50 / 60 Hz)
Noise level (ISO 2151)	71 / 73 dB(A) (50 / 60 Hz)	71 / 73 dB(A) (50 / 60 Hz)	71 / 73 dB(A) (50 / 60 Hz)
Weight approx.	155 kg	155 kg	155 kg
Dimensions (L x W x H)	1080 x 430 x 590 mm	1080 x 430 x 590 mm	1080 x 430 x 590 mm
Gas outlet	G 1¼"	G 1¼"	G 1¼"

	MINK MM 1144 BP	MINK MM 1144 BP	MINK MM 1144 BP
Volume flow (at inlet)	80 / 95 m³/h (50 / 60 Hz)	80 / 95 m³/h (50 / 60 Hz)	80 / 95 m³/h (50 / 60 Hz)
Overpressure	1.0 bar(g) (50 / 60 Hz)	1.4 bar(g) (50 / 60 Hz)	2.0 bar(g) (50 / 60 Hz)
Nominal motor rating	2.7 / 3.4 kW (50 / 60 Hz)	3.4 / 4.0 kW (50 / 60 Hz)	4.4 / 5.1 kW (50 / 60 Hz)
Nominal motor speed	1500 / 1800 min <sup>-1</sup> (50 / 60 Hz)	1500 / 1800 min <sup>-1</sup> (50 / 60 Hz)	1500 / 1800 min <sup>-1</sup> (50 / 60 Hz)
Noise level (ISO 2151)	71 / 73 dB(A) (50 / 60 Hz)	71 / 73 dB(A) (50 / 60 Hz)	71 / 73 dB(A) (50 / 60 Hz)
Weight approx.	160 kg	160 kg	160 kg

# MINK MM 1104-1142 BP

Dry claw compressors



VACUUM SOLUTIONS

	MINK MM 1144 BP	MINK MM 1144 BP	MINK MM 1144 BP
Dimensions (L x W x H)	1190 x 430 x 590 mm	1190 x 430 x 590 mm	1190 x 430 x 590 mm
Gas outlet	G 1¼"	G 1¼"	G 1¼"

	MINK MM 1102 BP	MINK MM 1102 BP	MINK MM 1102 BP
Volume flow (at inlet)	110 / 135 m³/h (50 / 60 Hz)	110 / 135 m³/h (50 / 60 Hz)	110 / 135 m³/h (50 / 60 Hz)
Overpressure	0.7 bar(g) (50 / 60 Hz)	1.4 / 1.1 bar(g) (50 / 60 Hz)	2.0 bar(g) (50 / 60 Hz)
Nominal motor rating	4.0 / 5.5 kW (50 / 60 Hz)	5.5 / 6.5 kW (50 / 60 Hz)	6.9 / 8.6 kW (50 / 60 Hz)
Nominal motor speed	3000 / 3600 min <sup>-1</sup> (50 / 60 Hz)	3000 / 3600 min <sup>-1</sup> (50 / 60 Hz)	3000 / 3600 min <sup>-1</sup> (50 / 60 Hz)
Noise level (ISO 2151)	78 / 81 dB(A) (50 / 60 Hz)	78 / 81 dB(A) (50 / 60 Hz)	78 / 81 dB(A) (50 / 60 Hz)
Weight approx.	160 kg	160 kg	160 kg
Dimensions (L x W x H)	1195 x 430 x 590 mm	1195 x 430 x 590 mm	1195 x 430 x 590 mm
Gas outlet	G 1¼"	G 1¼"	G 1¼"

	MINK MM 1142 BP	MINK MM 1142 BP	MINK MM 1142 BP
Volume flow (at inlet)	140 / 170 m³/h (50 / 60 Hz)	140 / 170 m³/h (50 / 60 Hz)	140 / 170 m³/h (50 / 60 Hz)
Overpressure	1.0 bar(g) (50 / 60 Hz)	1.4 bar(g) (50 / 60 Hz)	2.0 bar(g) (50 / 60 Hz)
Nominal motor rating	6.0 / 8.0 kW (50 / 60 Hz)	7.5 / 9.5 kW (50 / 60 Hz)	9.0 / 11.5 kW (50 / 60 Hz)
Nominal motor speed	3000 / 3600 min <sup>-1</sup> (50 / 60 Hz)	3000 / 3600 min <sup>-1</sup> (50 / 60 Hz)	3000 / 3600 min <sup>-1</sup> (50 / 60 Hz)
Noise level (ISO 2151)	78 / 81 dB(A) (50 / 60 Hz)	78 / 81 dB(A) (50 / 60 Hz)	78 / 81 dB(A) (50 / 60 Hz)
Weight approx.	165 kg	165 kg	165 kg
Dimensions (L x W x H)	1210 x 430 x 590 mm	1210 x 430 x 590 mm	1210 x 430 x 590 mm
Gas outlet	G 1¼"	G 1¼"	G 1¼"

DO YOU WANT TO KNOW MORE?

Get in touch with us directly!  
[sales@busch.ae](mailto:sales@busch.ae) or +971 6552 8654



CONTACT FORM



CALL NOW