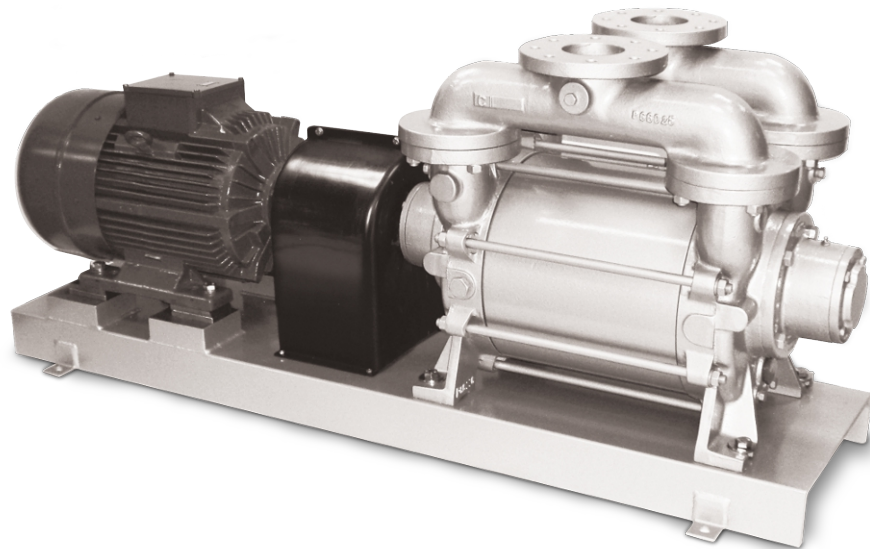


# DOLPHIN LA 1908-2808 A

Liquid ring vacuum pumps



## Robust

Proven technology, durable single-stage construction

## Reliable

Extremely high vapor and particle tolerance

## Flexible

Wide range of construction materials, including cast iron (EN-GJL-200), many grades of stainless steel and even titanium, ATEX-certified version available (Cat 1(i)/2(o) IIC T5), different operating fluids possible, operation as compressor possible

Accessories, spare parts and options

- Partial or total recirculation systems
- Liquid separator
- Cavitation protection
- Heat exchanger
- Gas ejector
- Wide selection of motors
- Non-return valves
- Vacuum relief valves

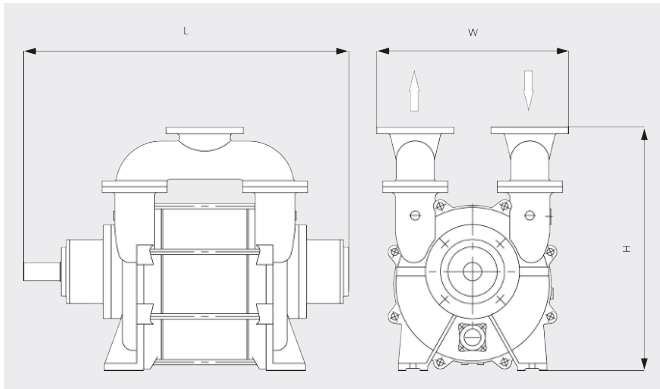
# DOLPHIN LA 1908–2808 A

Liquid ring vacuum pumps



VACUUM SOLUTIONS

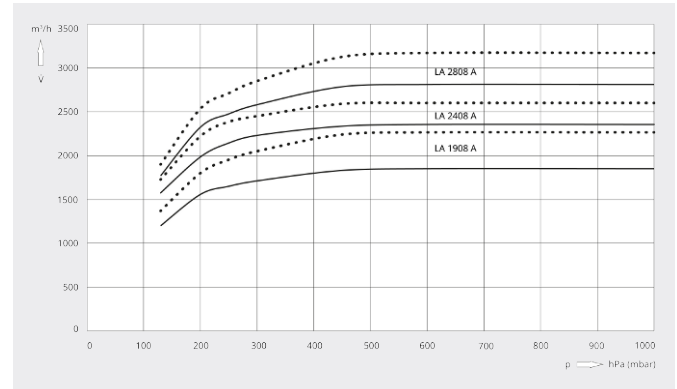
Dimensional drawing



Pumping speed

Air at 20°C. Tolerance: ± 10%

— 50 Hz ..... 60 Hz



	DOLPHIN LA 1908 A	DOLPHIN LA 2408 A	DOLPHIN LA 2808 A
<b>Nominal pumping speed</b>	1900 / 2250 m³/h (50 / 60 Hz)	2400 / 2600 m³/h (50 / 60 Hz)	2800 / 3150 m³/h (50 / 60 Hz)
<b>Ultimate pressure</b>	130 hPa (mbar) (50 / 60 Hz)	130 hPa (mbar) (50 / 60 Hz)	130 hPa (mbar) (50 / 60 Hz)
<b>Nominal motor rating</b>	75 / 90 kW (50 / 60 Hz)	75 / 110 kW (50 / 60 Hz)	90 / 150 kW (50 / 60 Hz)
<b>Nominal motor speed</b>	735 / 880 min <sup>-1</sup> (50 / 60 Hz)	735 / 880 min <sup>-1</sup> (50 / 60 Hz)	735 / 880 min <sup>-1</sup> (50 / 60 Hz)
<b>Noise level (ISO 2151)</b>	79 dB(A) (50 / 60 Hz)	79 dB(A) (50 / 60 Hz)	79 dB(A) (50 / 60 Hz)
<b>Weight approx.</b>	1445 kg	1610 kg	1770 kg
<b>Dimensions (L x W x H)</b>	( 1418 – 1698 ) x 650 x 1060 mm	( 1518 – 1798 ) x 650 x 1060 mm	( 1618 – 1898 ) x 650 x 1060 mm
<b>Gas inlet / outlet</b>	DN 200 PN 10 / DN 200 PN 10	DN 200 PN 10 / DN 200 PN 10	DN 200 PN 10 / DN 200 PN 10

## DO YOU WANT TO KNOW MORE?

Get in touch with us directly!  
[sales@busch.ae](mailto:sales@busch.ae) or +971 6552 8654



CONTACT FORM



CALL NOW