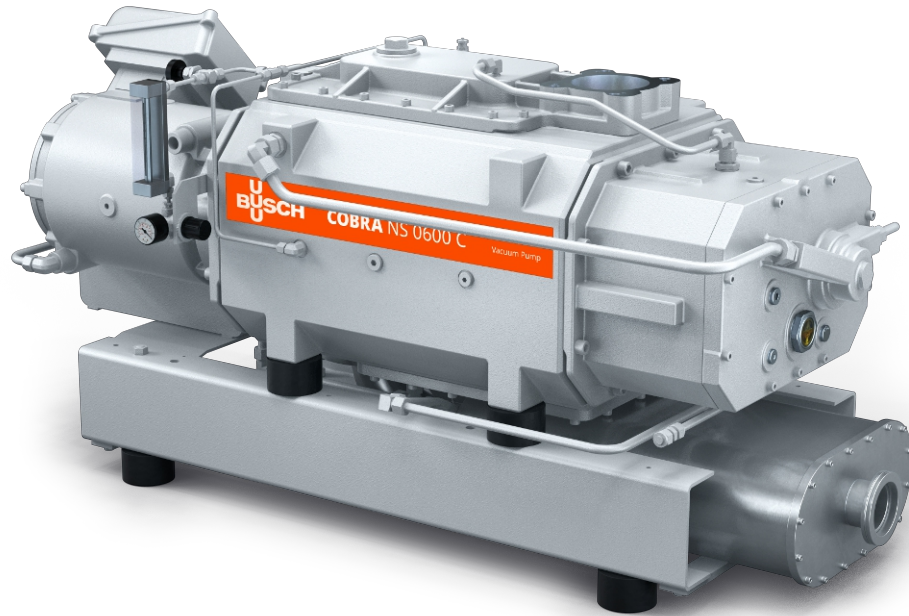


# COBRA NS 0070-0600 C

Dry screw vacuum pumps



VACUUM SOLUTIONS



## High performance

Advanced screw design, patented self-balancing screws, perfectly suited for coating applications, helium pumping or fluorination

## Efficient

Low cost of ownership, minimal maintenance, long service intervals, high uptime, efficient water cooling

## Leak-tight design

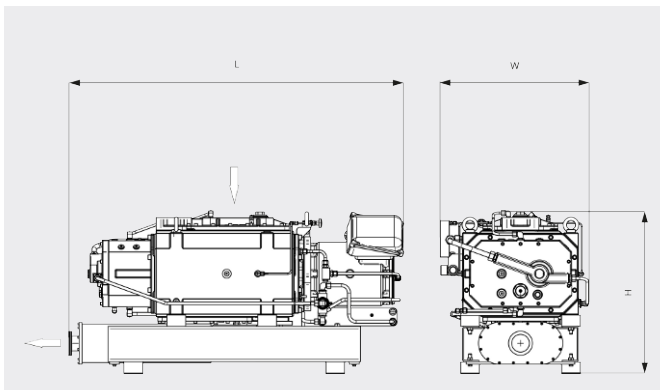
Integrated motor, no contamination of process gases, gas-tight

# COBRA NS 0070-0600 C

Dry screw vacuum pumps



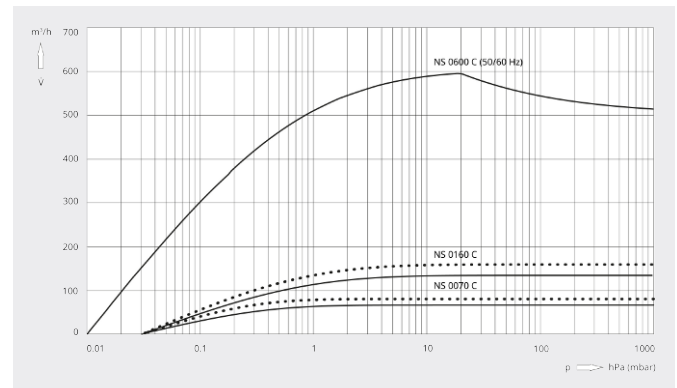
Dimensional drawing



Pumping speed

Air at 20°C. Tolerance: ± 10%

— 50 Hz ..... 60 Hz



	COBRA NS 0070 C	COBRA NS 0160 C	COBRA NS 0600 C
<b>Nominal pumping speed</b>	70 / 85 m³/h (50 / 60 Hz)	135 / 160 m³/h (50 / 60 Hz)	600 m³/h (50 / 60 Hz)
<b>Ultimate pressure</b>	3.0 · 10 <sup>-2</sup> hPa (mbar) (50 / 60 Hz)	3.0 · 10 <sup>-2</sup> hPa (mbar) (50 / 60 Hz)	1.0 · 10 <sup>-2</sup> hPa (mbar) (50 / 60 Hz)
<b>Nominal motor rating</b>	4.0 / 4.4 kW (50 / 60 Hz)	5.5 / 6.6 kW (50 / 60 Hz)	15 kW (50 / 60 Hz)
<b>Nominal motor speed</b>	3000 / 3600 min <sup>-1</sup> (50 / 60 Hz)	3000 / 3600 min <sup>-1</sup> (50 / 60 Hz)	3000 / 3600 min <sup>-1</sup> (50 / 60 Hz)
<b>Noise level (ISO 2151)</b>	62 dB(A) (50 / 60 Hz)	68 dB(A) (50 / 60 Hz)	68 dB(A) (50 / 60 Hz)
<b>Weight approx.</b>	250 kg	250 kg	600 kg
<b>Dimensions (L x W x H)</b>	809 x 483 x 416 mm	873 x 483 x 416 mm	1329 x 589 x 645 mm
<b>Gas inlet / outlet</b>	DN 40 ISO-KF / DN 40 ISO-KF	DN 50 ISO-KF DN 40 ISO-KF	DN 100 ISO-K/ DN 100 ISO-K

DO YOU WANT TO KNOW MORE?

Get in touch with us directly!  
[sales@busch.ae](mailto:sales@busch.ae) or +971 6552 8654



CONTACT FORM



CALL NOW