

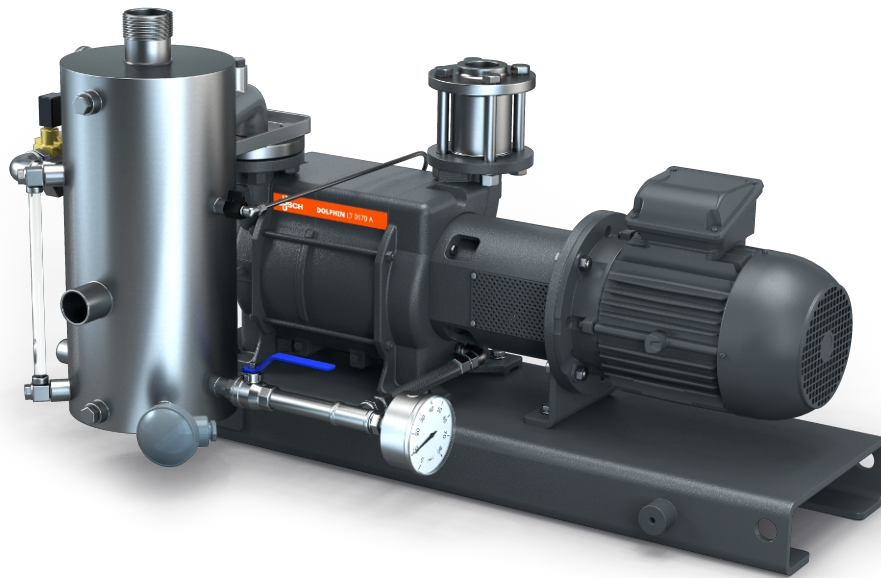
DOLPHIN VL 0100-0270 A

Partial Recirculation

Liquid ring vacuum pump units



VACUUM SOLUTIONS



Robust

Proven technology, reliable operation, corrosion-free stainless steel impeller, extremely high vapor and particle tolerance, part of the operating fluid is recirculated, fresh liquid introduced in sufficient quantity to maintain proper temperature

All-in-One

Unit with base frame, operating fluid separator, control system, including inlet check valve, fresh liquid supply kit, level indicator with switches, temperature and pressure indicators and cavitation protection

Flexible

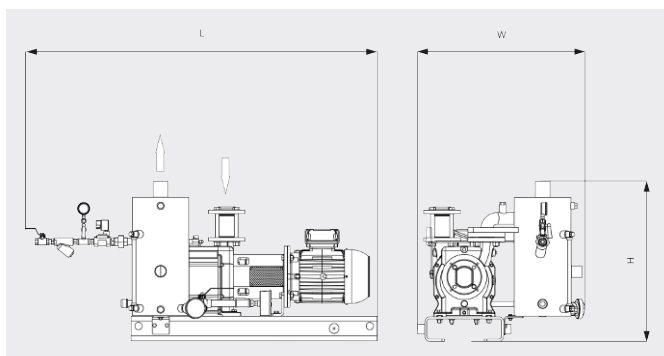
Choice of cast iron (EN-GJL-200) or 316 grade stainless steel material housings, ATEX-certified version available (Cat. 1 (i/o) IIC, T4), operating fluids other than water possible

DOLPHIN VL 0100-0270 A Partial Recirculation

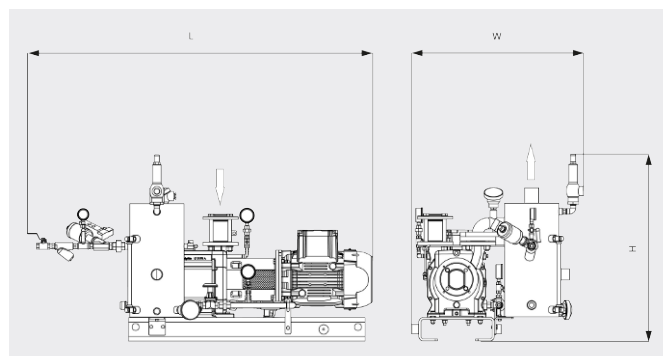
Liquid ring vacuum pump units



Dimensional drawing



Dimensional drawing



	DOLPHIN VL 0100 A Partial Recirculation	DOLPHIN VL 0180 A Partial Recirculation	DOLPHIN VL 0270 A Partial Recirculation
Nominal pumping speed	82 / 98 m ³ /h (50 / 60 Hz)	144 / 180 m ³ /h (50 / 60 Hz)	220 / 267 m ³ /h (50 / 60 Hz)
Ultimate pressure	130 hPa (mbar) (50 / 60 Hz)	130 hPa (mbar) (50 / 60 Hz)	130 hPa (mbar) (50 / 60 Hz)
Nominal motor rating	2.2 / 3.0 kW (50 / 60 Hz)	4.0 / 5.5 kW (50 / 60 Hz)	5.5 / 7.5 kW (50 / 60 Hz)
Weight approx.	183 / 205 kg (Safe / ATEX)	187 / 229 kg (Safe / ATEX)	230 / 269 kg (Safe / ATEX)
Dimensions (L x W x H)	983 x 704 x 647 / 1020 x 724 x 788 mm (Safe / ATEX)	1028 x 704 x 647 / 1090 x 724 x 788 mm (Safe / ATEX)	1136 x 704 x 647 / 1205 x 724 x 788 mm (Safe / ATEX)
Gas inlet / outlet	G 1½" / R 2"	G 1½" / R 2"	G 1½" / R 2"

DO YOU WANT TO KNOW MORE?

Get in touch with us directly!
sales@busch.ae or +971 6552 8654



CONTACT FORM



CALL NOW