

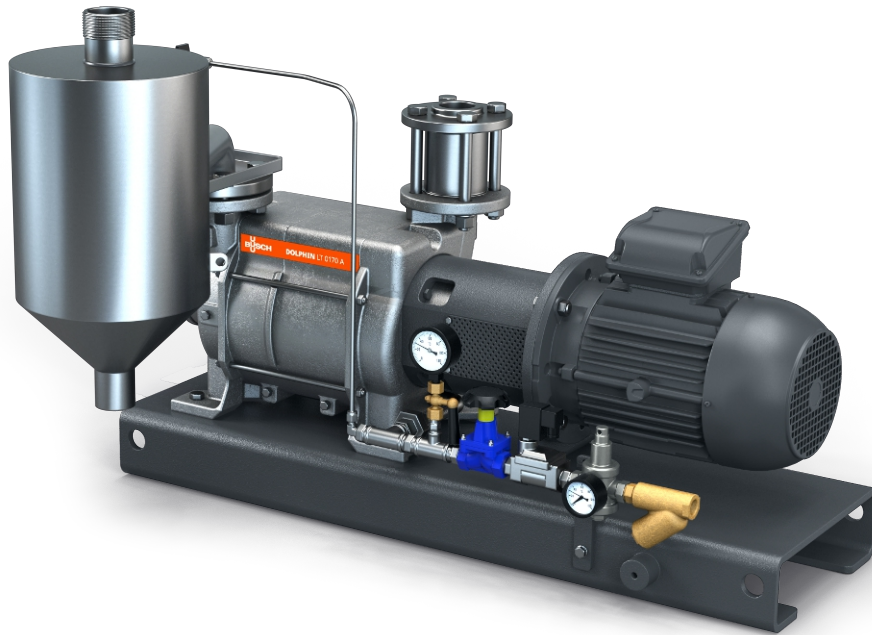
DOLPHIN VL 0430-0750 A

Continuous Flow

Liquid ring vacuum pump units



VACUUM SOLUTIONS



Robust

Proven technology, reliable operation, corrosion-free stainless steel impeller, extremely high vapor and particle tolerance, automatic solenoid valve for control of operating fluid flow from main supply

All-in-One

Unit with base frame, operating fluid separator, control system, including inlet check valve, fresh liquid supply kit, level indicator (ATEX only), temperature sensor (ATEX only) and pressure indicators and cavitation protection

Flexible

Choice of cast iron (EN-GJL-200) or 316 grade stainless steel material housings, ATEX-certified version available (Cat. 1 (i/o) IIC, T4), operating fluids other than water possible

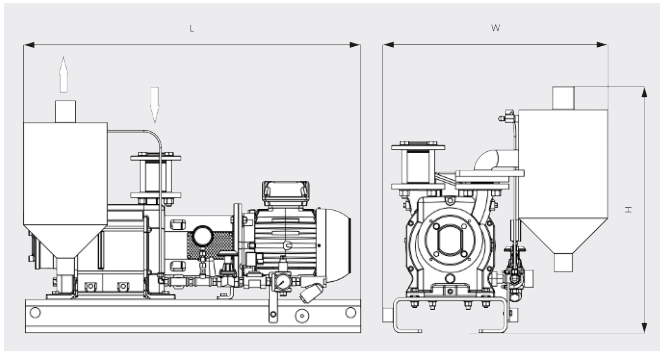
DOLPHIN VL 0430-0750 A Continuous Flow

Liquid ring vacuum pump units

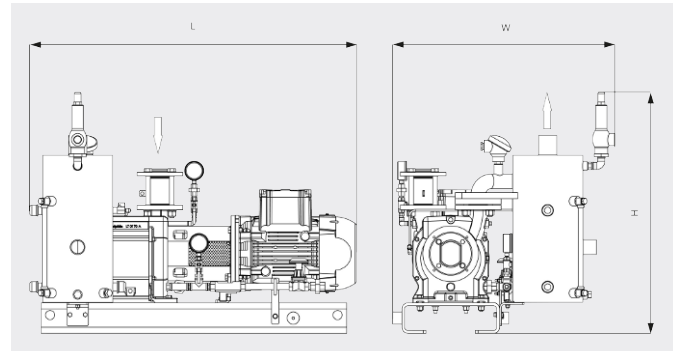


VACUUM SOLUTIONS

Dimensional drawing



Dimensional drawing



| | DOLPHIN VL 0430 A Continuous Flow | DOLPHIN VL 0510 A Continuous Flow | DOLPHIN VL 0630 A Continuous Flow | DOLPHIN VL 0750 A Continuous Flow |
|-------------------------------|--|--|---|---|
| Nominal pumping speed | 340 / 419 m ³ /h (50 / 60 Hz) | 430 / 515 m ³ /h (50 / 60 Hz) | 498 / 574 m ³ /h (50 / 60 Hz) | 600 / 710 m ³ /h (50 / 60 Hz) |
| Ultimate pressure | 33 hPa (mbar) (50 / 60 Hz) | 33 hPa (mbar) (50 / 60 Hz) | 33 hPa (mbar) (50 / 60 Hz) | 33 hPa (mbar) (50 / 60 Hz) |
| Nominal motor rating | 11.0 / 15.0 kW (50 / 60 Hz) | 11.0 / 15.0 kW (50 / 60 Hz) | 15.0 / 22.0 kW (50 / 60 Hz) | 18.5 / 30.0 kW (50 / 60 Hz) |
| Weight approx. | 398 / 509 kg (Safe / ATEX) | 444 / 539 kg (Safe / ATEX) | 533 / 567 kg (Safe / ATEX) | 585 / 683 kg (Safe / ATEX) |
| Dimensions (L x W x H) | 1387 x 815 x 854 / 1559 x 927 x 1067 mm (Safe / ATEX) | 1447 x 815 x 854 / 1619 x 927 x 1067 mm (Safe / ATEX) | 1646 x 875 x 932 / 1734 x 1054 x 1184 mm (Safe / ATEX) | 1651 x 875 x 932 / 1826 x 1054 x 1184 mm (Safe / ATEX) |
| Gas inlet / outlet | G 2" / R 3" | G 2" / R 3" | G 2½" / R 4" | G 2½" / R 4" |

DO YOU WANT TO KNOW MORE?

Get in touch with us directly!
sales@busch.ae or +971 6552 8654



CONTACT FORM



CALL NOW