

# SAMOS SB 0310–0530 D0

Side channel blowers



Discover all advantages of  
the product series SAMOS  
SB

## Reliable

Robust construction, effective air cooling, long lifetime, nearly maintenance-free, dry and contact-free operating principle

## Flexible

Vacuum or overpressure operation, horizontal and vertical installation, various design options and ATEX-certified versions available

## Quiet

Very low noise level, fully enclosed unit, internal silencers

### Accessories

- Vacuum relief valves
- Pressure relief valves
- Additional silencers
- Thermal protection (bimetal switch or PTC-thermistor)

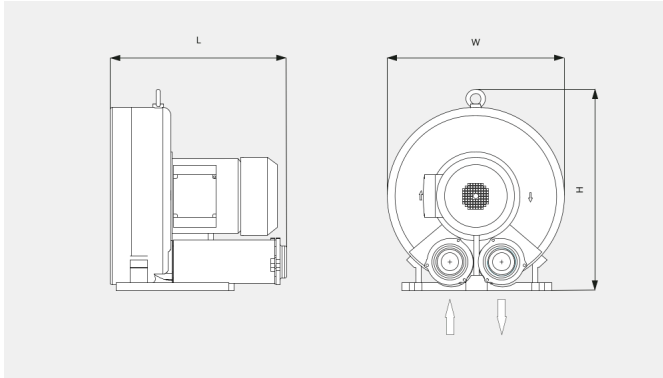
# SAMOS SB 0310–0530 D0

Side channel blowers



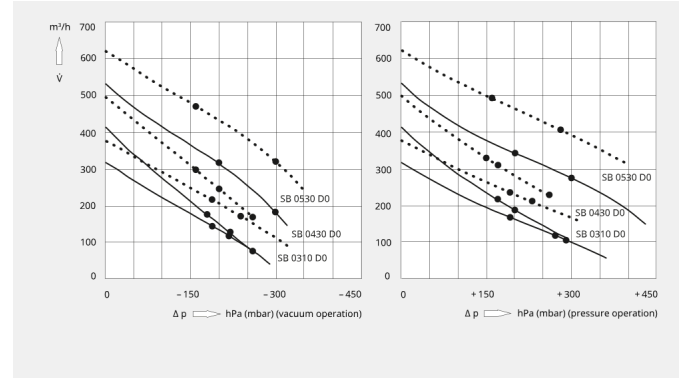
VACUUM SOLUTIONS

## Dimensional drawing



## Pumping speed/Volume flow

Air at 20 °C. Tolerance: ± 10%



The following technical values refer to ISO 50 Hz

	SAMOS SB 0310 D0 (A)	SAMOS SB 0310 D0 (B)	SAMOS SB 0430 D0 (A)	SAMOS SB 0430 D0 (B)
<b>Technology short name</b>	Side channel	Side channel	Side channel	Side channel
<b>Nominal pumping speed/volume flow</b>	315 m <sup>3</sup> /h	315 m <sup>3</sup> /h	415 m <sup>3</sup> /h	415 m <sup>3</sup> /h
<b>Max. differential pressure (vacuum version)</b>	-200 hPa (mbar)	-260 hPa (mbar)	-160 hPa (mbar)	-220 hPa (mbar)
<b>Max. differential pressure (overpressure version)</b>	+190 hPa (mbar)	+270 hPa (mbar)	+150 hPa (mbar)	+200 hPa (mbar)
<b>Max. operating power</b>	2.5 kW	3.0 kW	2.5 kW	3.0 kW
<b>Efficiency class</b>	IE3	IE n.d.	IE3	IE n.d.
<b>Service factor</b>	1.15	1.0	1.15	1.0
<b>Nominal motor speed</b>	2910 min <sup>-1</sup>	2855 min <sup>-1</sup>	2910 min <sup>-1</sup>	2855 min <sup>-1</sup>
<b>Noise level (ISO 3744)</b>	64 dB(A)	69 dB(A)	64 dB(A)	71 dB(A)
<b>Weight approx.</b>	36 kg	39 kg	41 kg	40 kg
<b>Dimensions (L x W x H)</b>	396 x 383 x 429 mm	414 x 383 x 429 mm	408 x 381 x 434 mm	426 x 381 x 429 mm
<b>spring elements mandatory</b>	no	no	no	no
<b>Gas inlet</b>	G 2"	G 2"	G 2"	G 2"
<b>Gas outlet</b>	G 2"	G 2"	G 2"	G 2"

# SAMOS SB 0310–0530 D0

Side channel blowers



The following technical values refer to ISO 50 Hz

	SAMOS SB 0430 D0 (C)	SAMOS SB 0530 D0 (A)	SAMOS SB 0530 D0 (B)
<b>Technology short name</b>	Side channel	Side channel	Side channel
<b>Nominal pumping speed/volume flow</b>	415 m <sup>3</sup> /h	530 m <sup>3</sup> /h	530 m <sup>3</sup> /h
<b>Max. differential pressure (vacuum version)</b>	-260 hPa (mbar)	-200 hPa (mbar)	-300 hPa (mbar)
<b>Max. differential pressure (overpressure version)</b>	+290 hPa (mbar)	+200 hPa (mbar)	+300 hPa (mbar)
<b>Max. operating power</b>	4.0 kW	4.0 kW	5.5 kW
<b>Efficiency class</b>	IE n.d.	IE n.d.	IE n.d.
<b>Service factor</b>	1.0	1.0	1.0
<b>Nominal motor speed</b>	2910 min <sup>-1</sup>	2915 min <sup>-1</sup>	2900 min <sup>-1</sup>
<b>Noise level (ISO 3744)</b>	71 dB(A)	69 dB(A)	71 dB(A)
<b>Weight approx.</b>	50 kg	112 kg	115 kg
<b>Dimensions (L x W x H)</b>	416 x 381 x 429 mm	506 x 486 x 530 mm	527 x 486 x 530 mm
<b>spring elements mandatory</b>	no	no	no
<b>Gas inlet</b>	G 2"	G 2½"	G 2½"
<b>Gas outlet</b>	G 2"	G 2½"	G 2½"

The following technical values refer to ISO 60 Hz

	SAMOS SB 0310 D0 (A)	SAMOS SB 0310 D0 (B)	SAMOS SB 0430 D0 (A)	SAMOS SB 0430 D0 (B)
<b>Technology short name</b>	Side channel	Side channel	Side channel	Side channel
<b>Nominal pumping speed/volume flow</b>	375 m <sup>3</sup> /h	375 m <sup>3</sup> /h	500 m <sup>3</sup> /h	500 m <sup>3</sup> /h
<b>Max. differential pressure (vacuum version)</b>	-190 hPa (mbar)	-240 hPa (mbar)	-140 hPa (mbar)	-200 hPa (mbar)
<b>Max. differential pressure (overpressure version)</b>	+180 hPa (mbar)	+230 hPa (mbar)	+120 hPa (mbar)	+170 hPa (mbar)
<b>Max. operating power</b>	3 kW	3.45 kW	3 kW	3.45 kW
<b>Efficiency class</b>	IE3	IE n.d.	IE3	IE n.d.
<b>Service factor</b>	1.15	1.0	1.15	1.0

# SAMOS SB 0310–0530 D0

Side channel blowers



	SAMOS SB 0310 D0 (A)	SAMOS SB 0310 D0 (B)	SAMOS SB 0430 D0 (A)	SAMOS SB 0430 D0 (B)
Nominal motor speed	3510 min <sup>-1</sup>	3430 min <sup>-1</sup>	3510 min <sup>-1</sup>	3430 min <sup>-1</sup>
Noise level (ISO 3744)	70 dB(A)	72 dB(A)	70 dB(A)	75 dB(A)
Weight approx.	36 kg	39 kg	41 kg	40 kg
Dimensions (L x W x H)	396 x 383 x 429 mm	414 x 383 x 429 mm	408 x 381 x 434 mm	426 x 381 x 429 mm
spring elements mandatory	no	no	no	no
Gas inlet	G 2"	G 2"	G 2"	G 2"
Gas outlet	G 2"	G 2"	G 2"	G 2"

The following technical values refer to ISO 60 Hz

	SAMOS SB 0430 D0 (C)	SAMOS SB 0530 D0 (A)	SAMOS SB 0530 D0 (B)
Technology short name	Side channel	Side channel	Side channel
Nominal pumping speed/volume flow	500 m <sup>3</sup> /h	620 m <sup>3</sup> /h	620 m <sup>3</sup> /h
Max. differential pressure (vacuum version)	-260 hPa (mbar)	-170 hPa (mbar)	-300 hPa (mbar)
Max. differential pressure (overpressure version)	+260 hPa (mbar)	+160 hPa (mbar)	+280 hPa (mbar)
Max. operating power	4.6 kW	4.6 kW	6.3 kW
Efficiency class	IE n.d.	IE n.d.	IE n.d.
Service factor	1.0	1.0	1.0
Nominal motor speed	3495 min <sup>-1</sup>	3500 min <sup>-1</sup>	3450 min <sup>-1</sup>
Noise level (ISO 3744)	75 dB(A)	71 dB(A)	75 dB(A)
Weight approx.	50 kg	112 kg	115 kg
Dimensions (L x W x H)	416 x 381 x 429 mm	506 x 486 x 530 mm	527 x 486 x 530 mm
spring elements mandatory	no	no	no
Gas inlet	G 2"	G 2½"	G 2½"
Gas outlet	G 2"	G 2½"	G 2½"

# SAMOS SB 0310–0530 D0

Side channel blowers



## DO YOU WANT TO KNOW MORE

Please contact us!  
[sales@busch.co.nz](mailto:sales@busch.co.nz) or +64 (0)800 428 724



CONTACT FORM



CALL US NOW